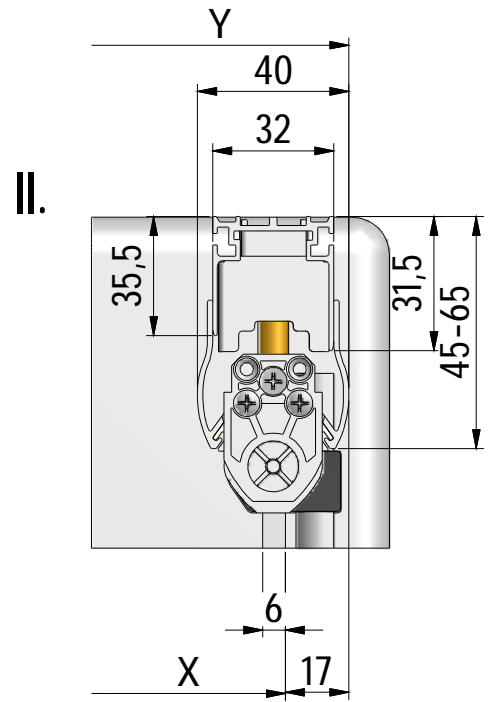
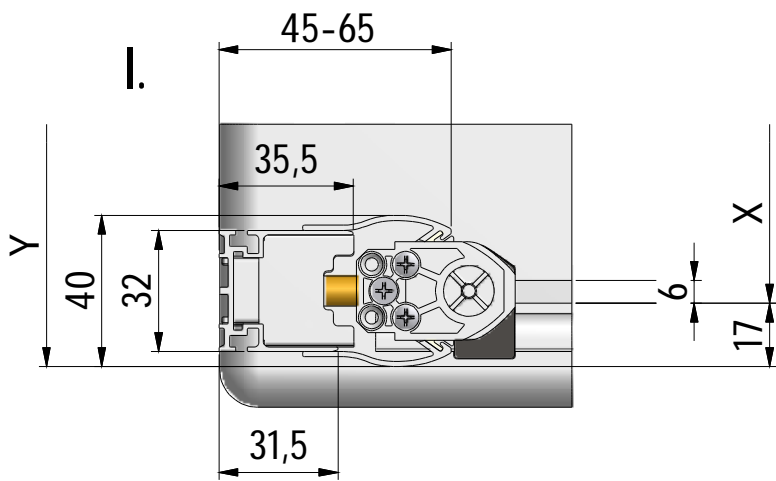
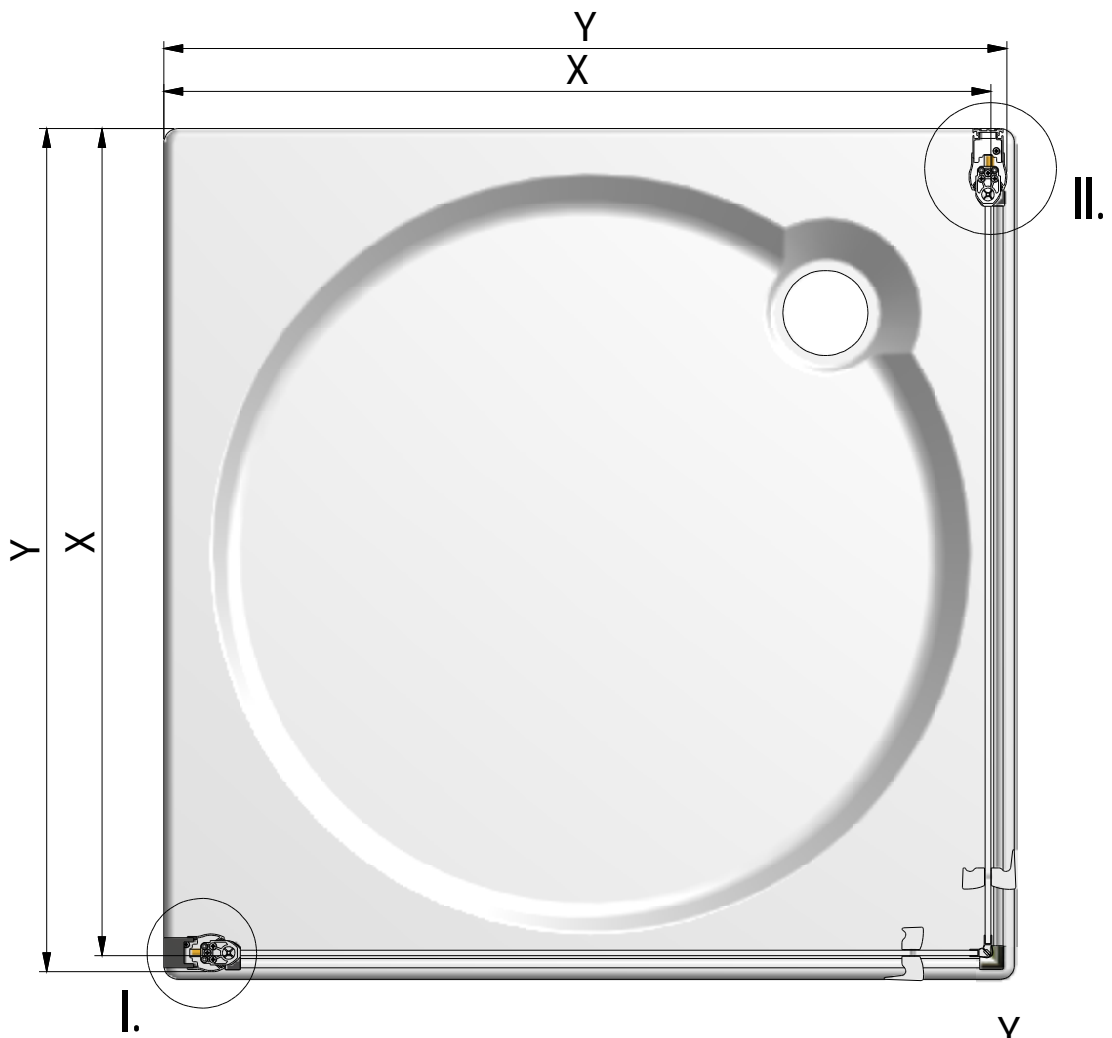
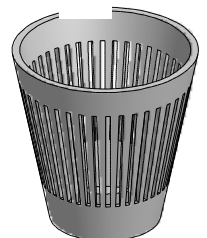
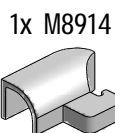
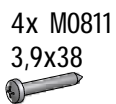
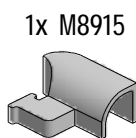
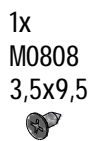
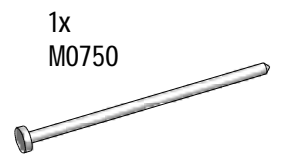
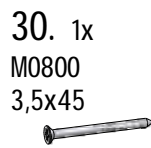
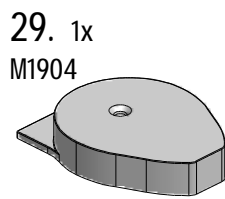
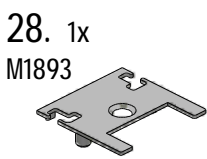
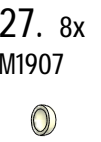
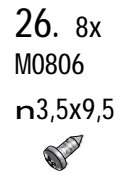
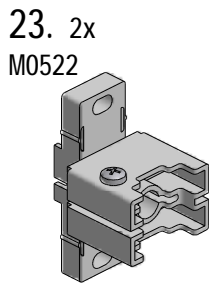
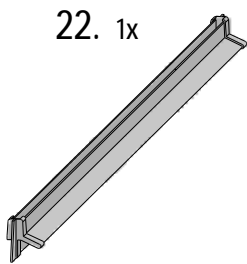
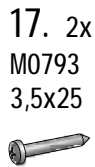
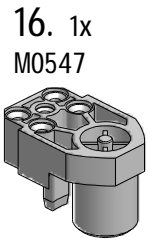
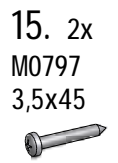
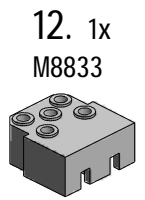
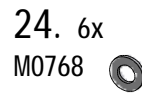
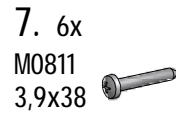
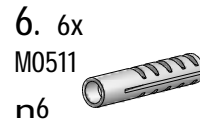
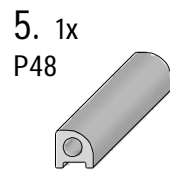
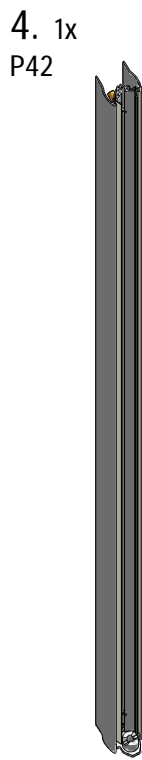
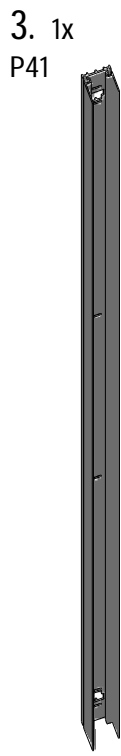
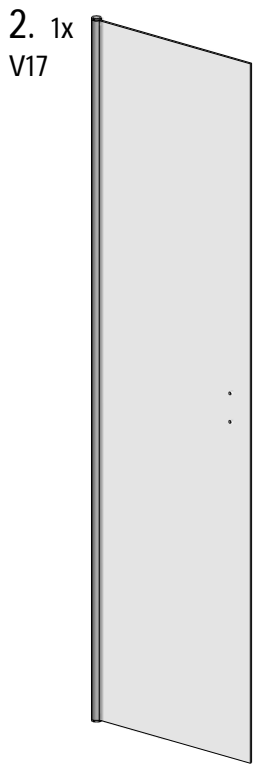


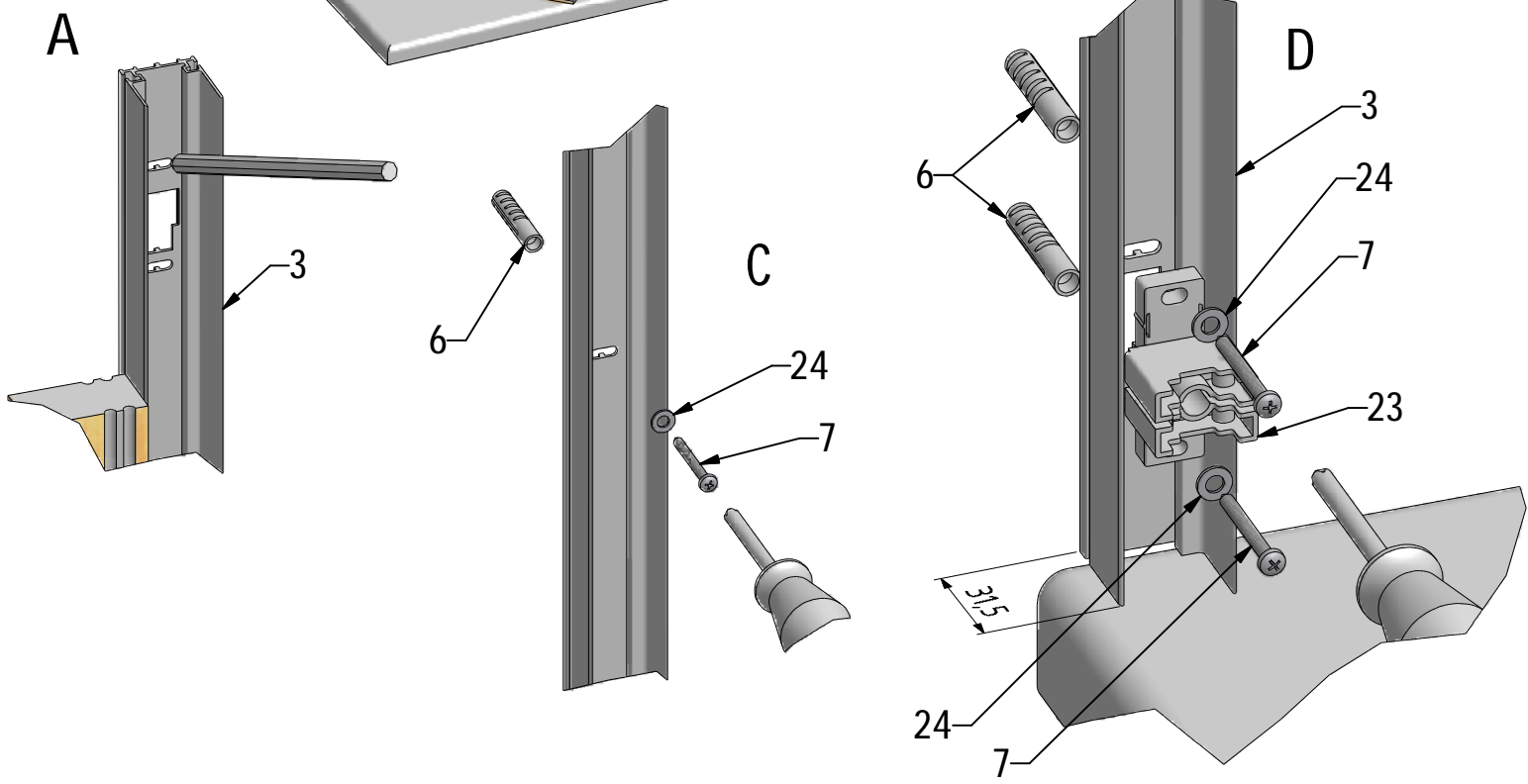
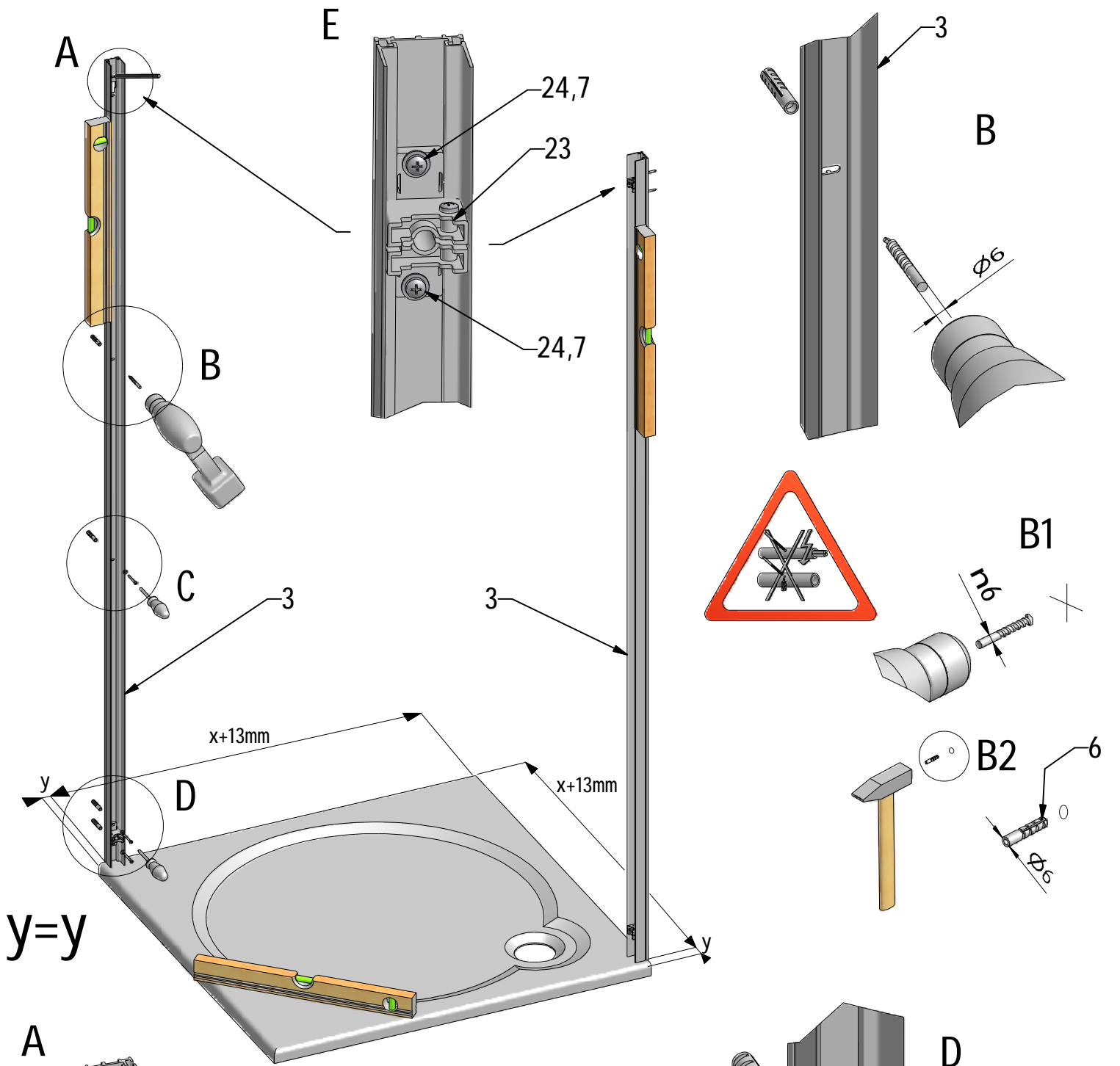
TCO1+TCO1

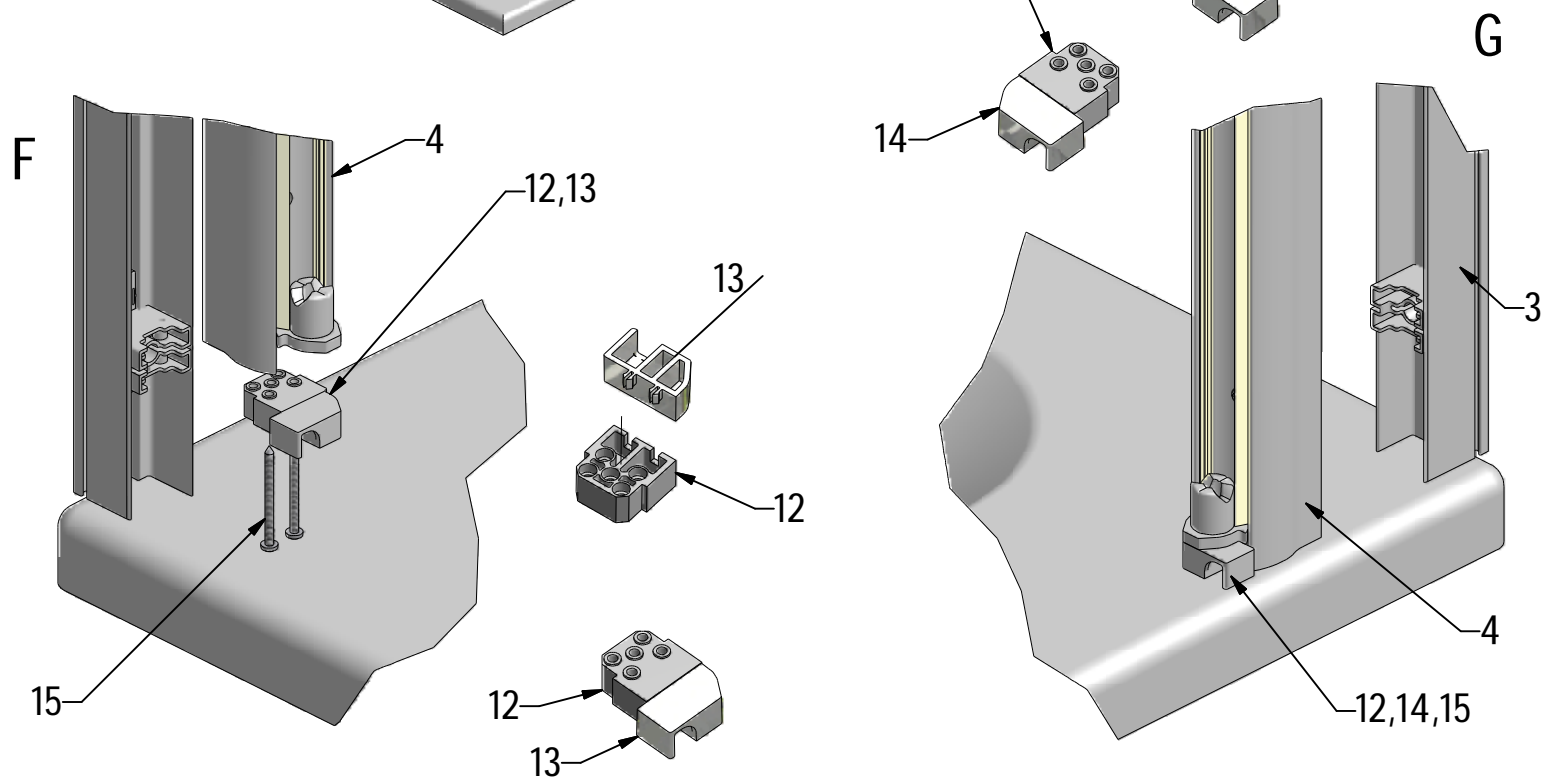
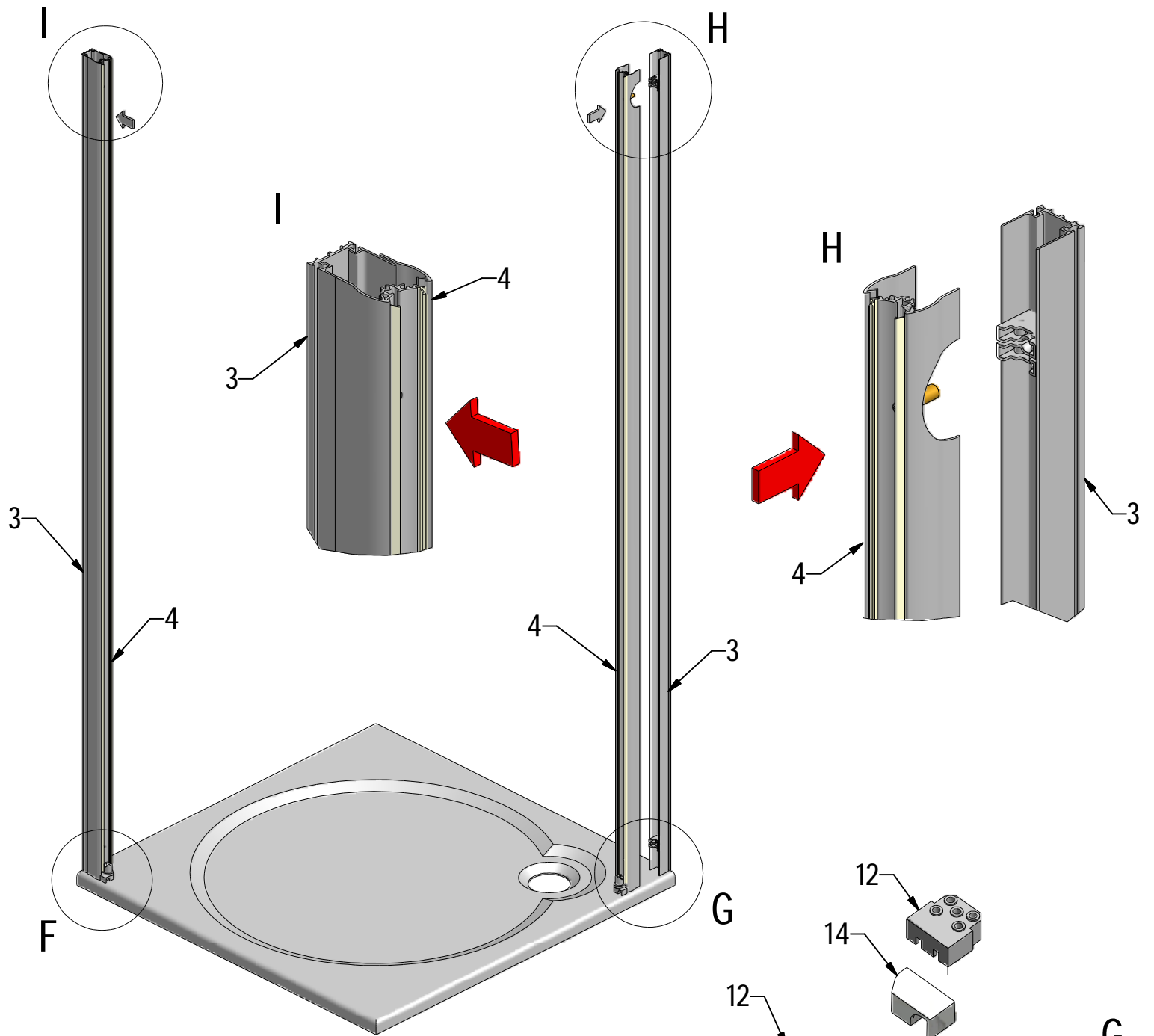


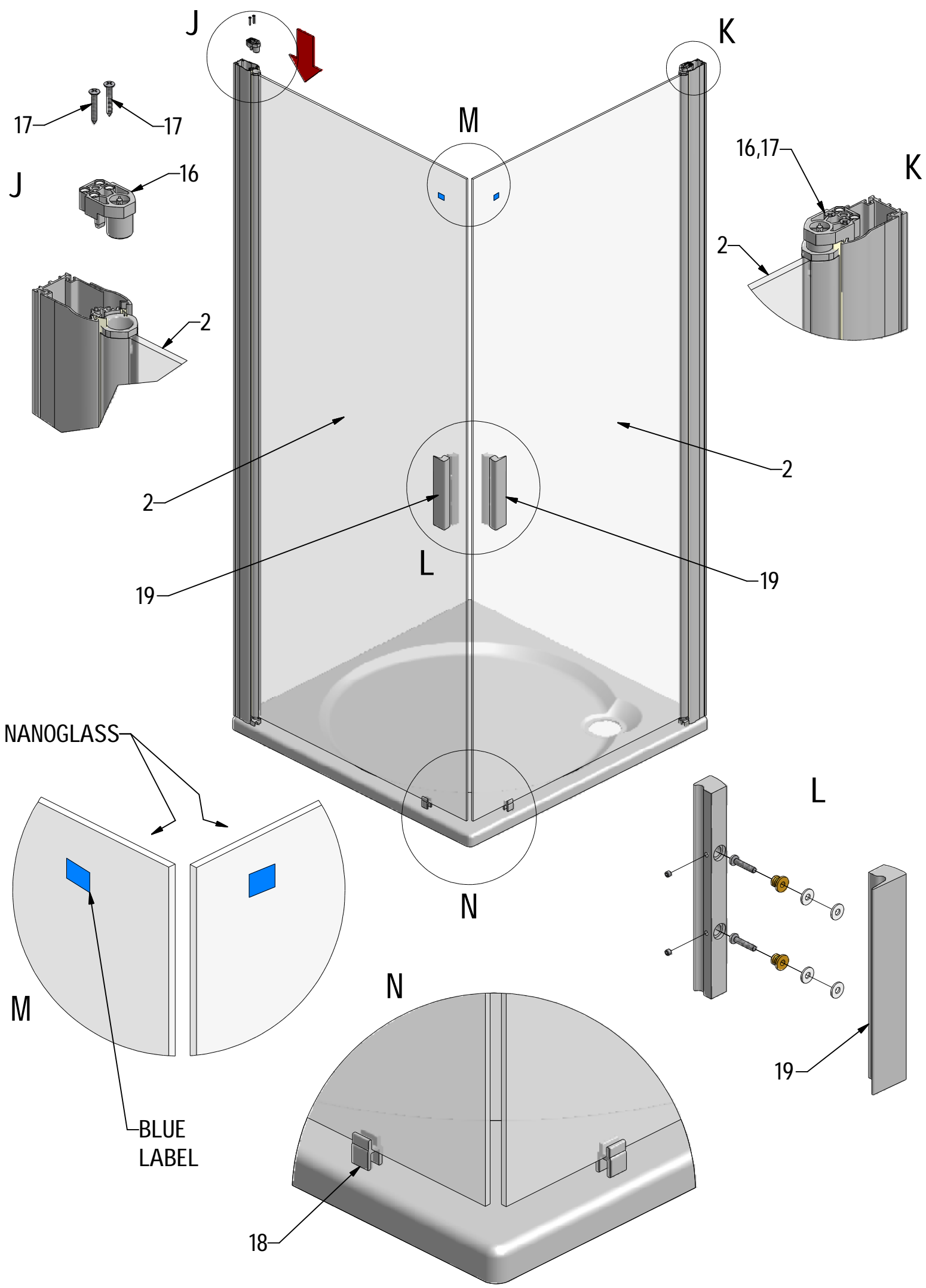


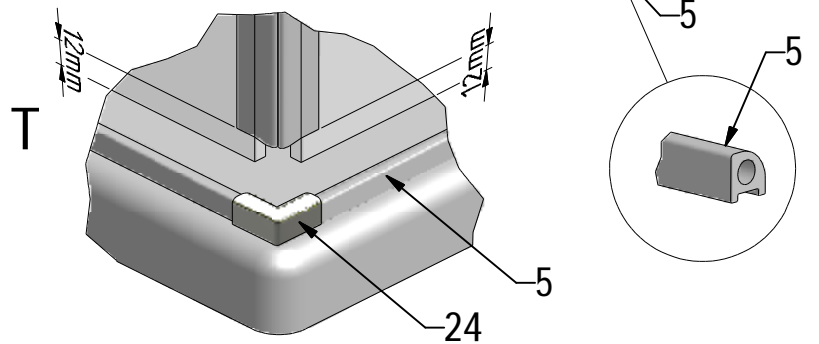
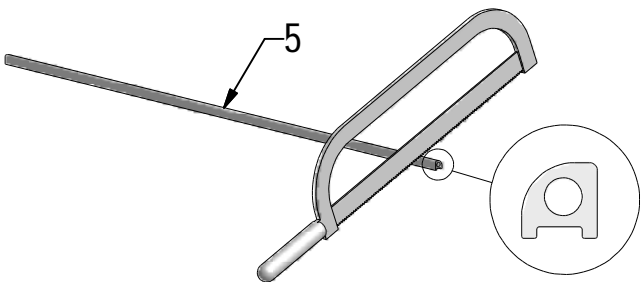
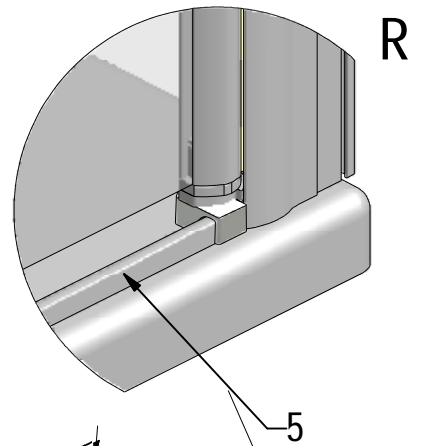
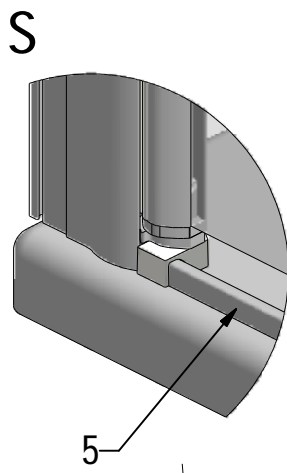
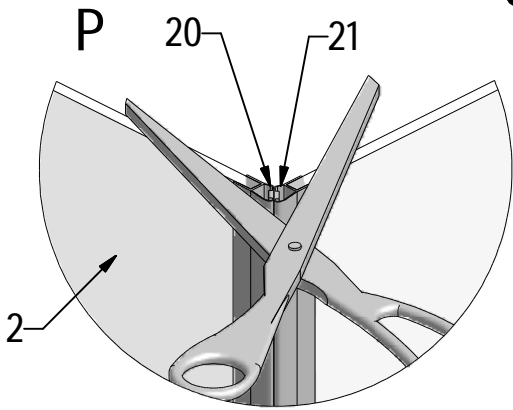
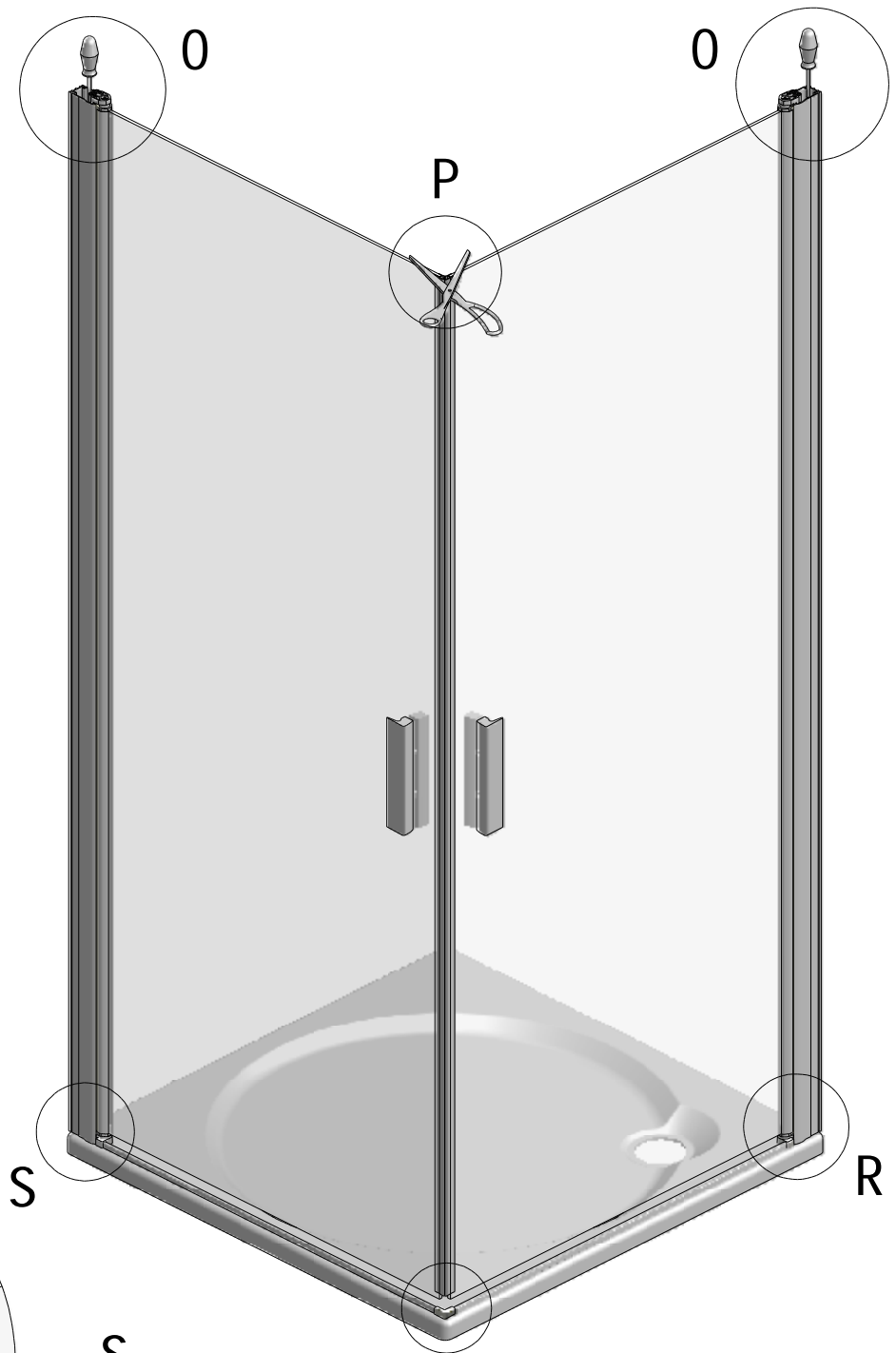
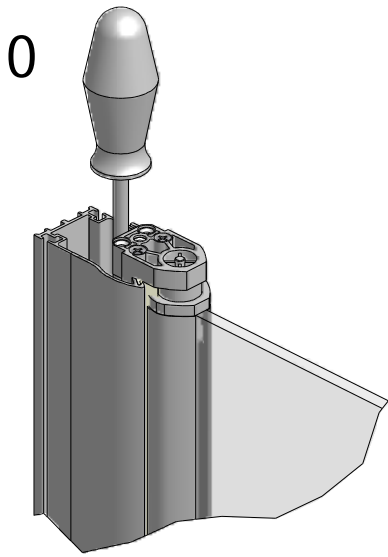
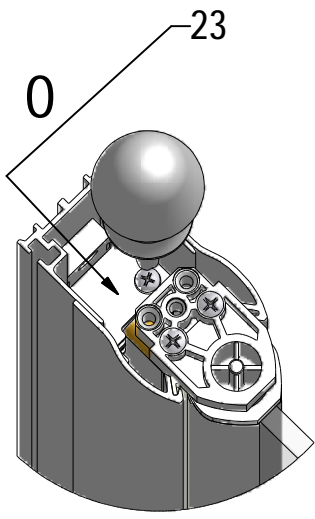
TC01	X (mm)		Y (mm)	
	MIN	MAX	MIN	MAX
800	755	775	772	792
900	855	875	872	892
1000	955	975	972	992

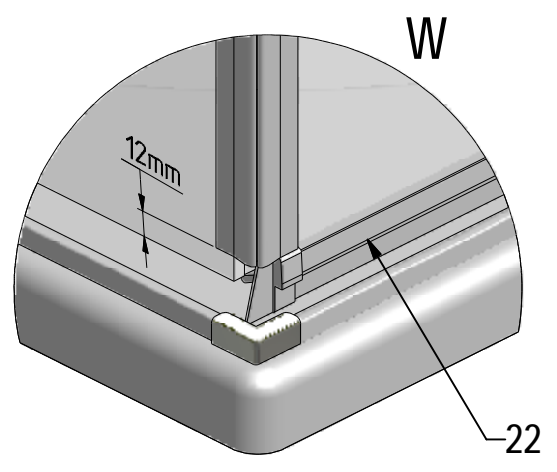
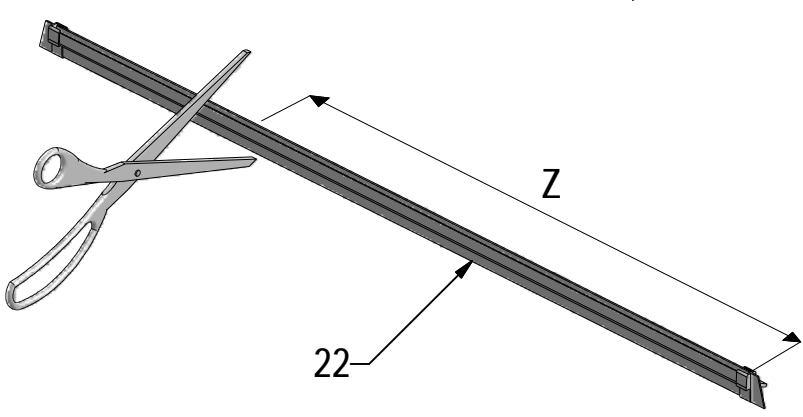
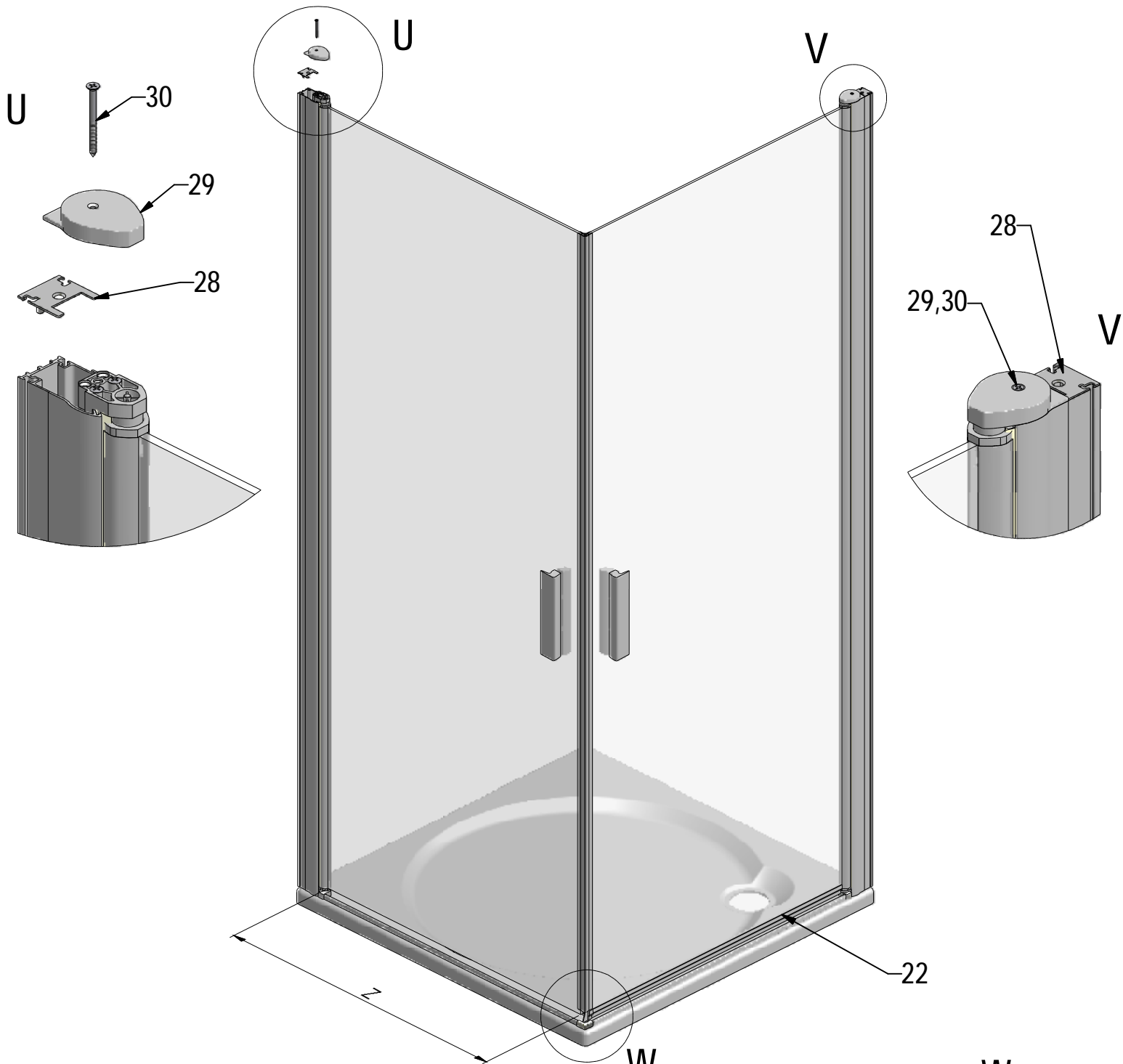


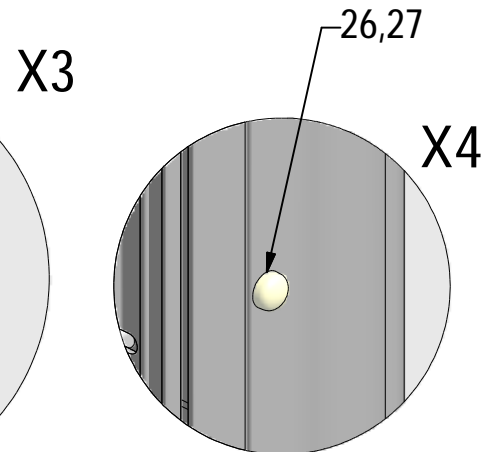
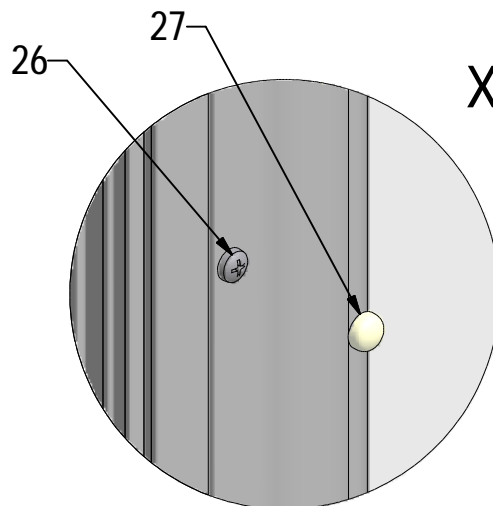
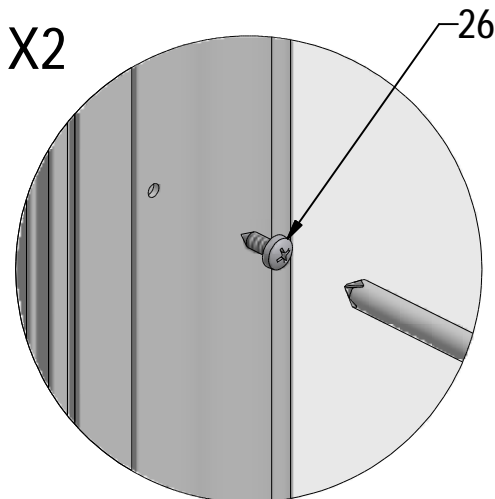
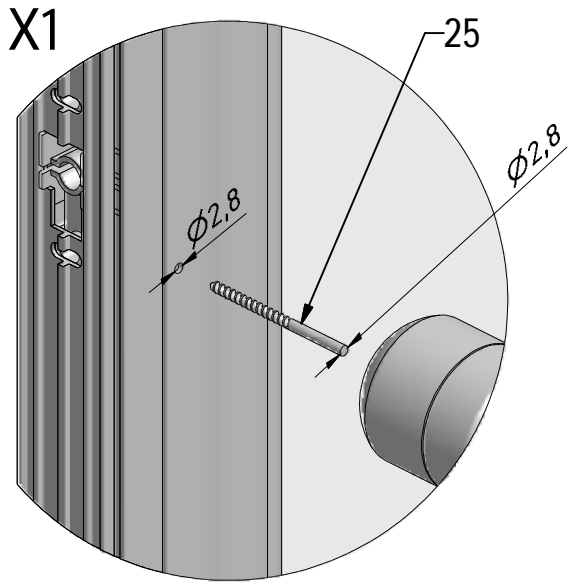
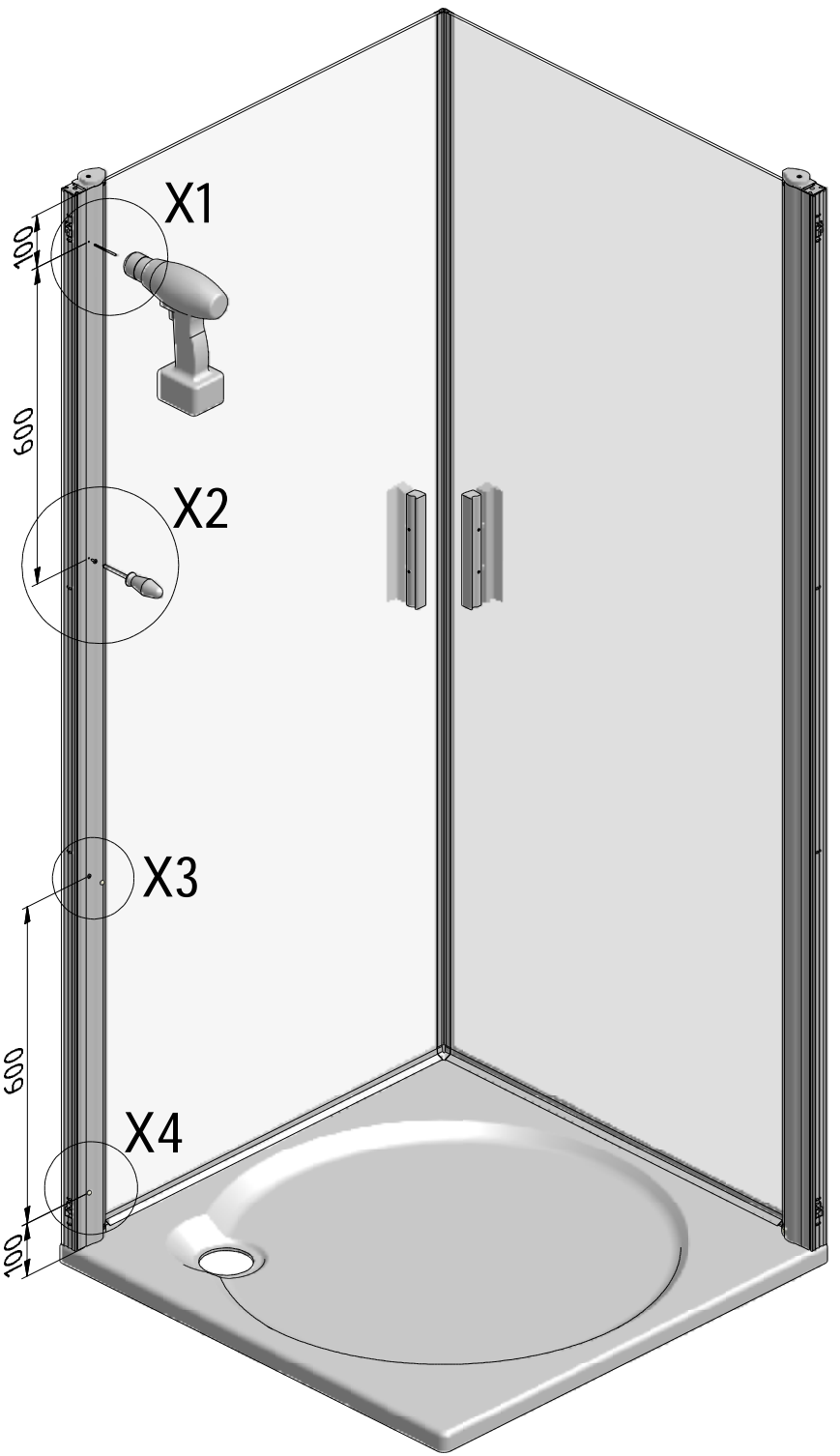
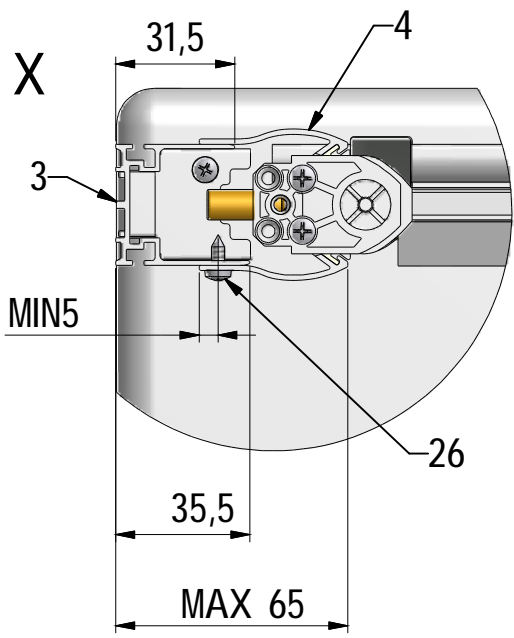


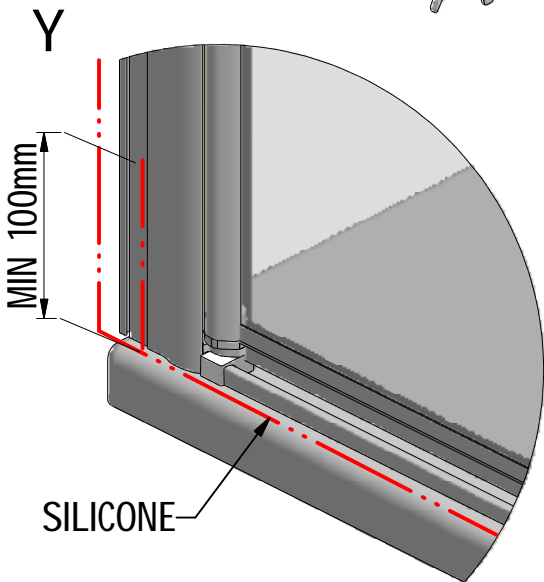
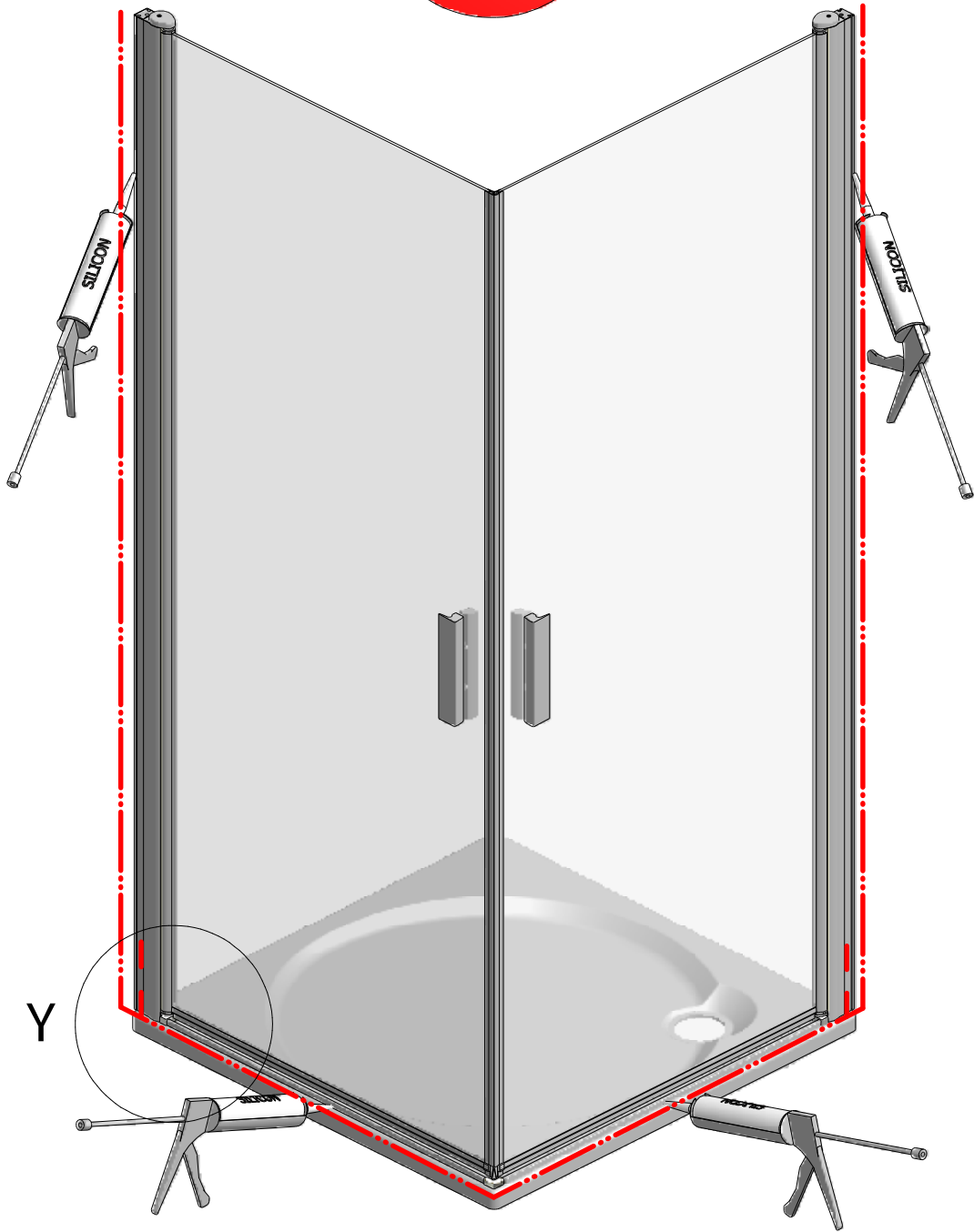




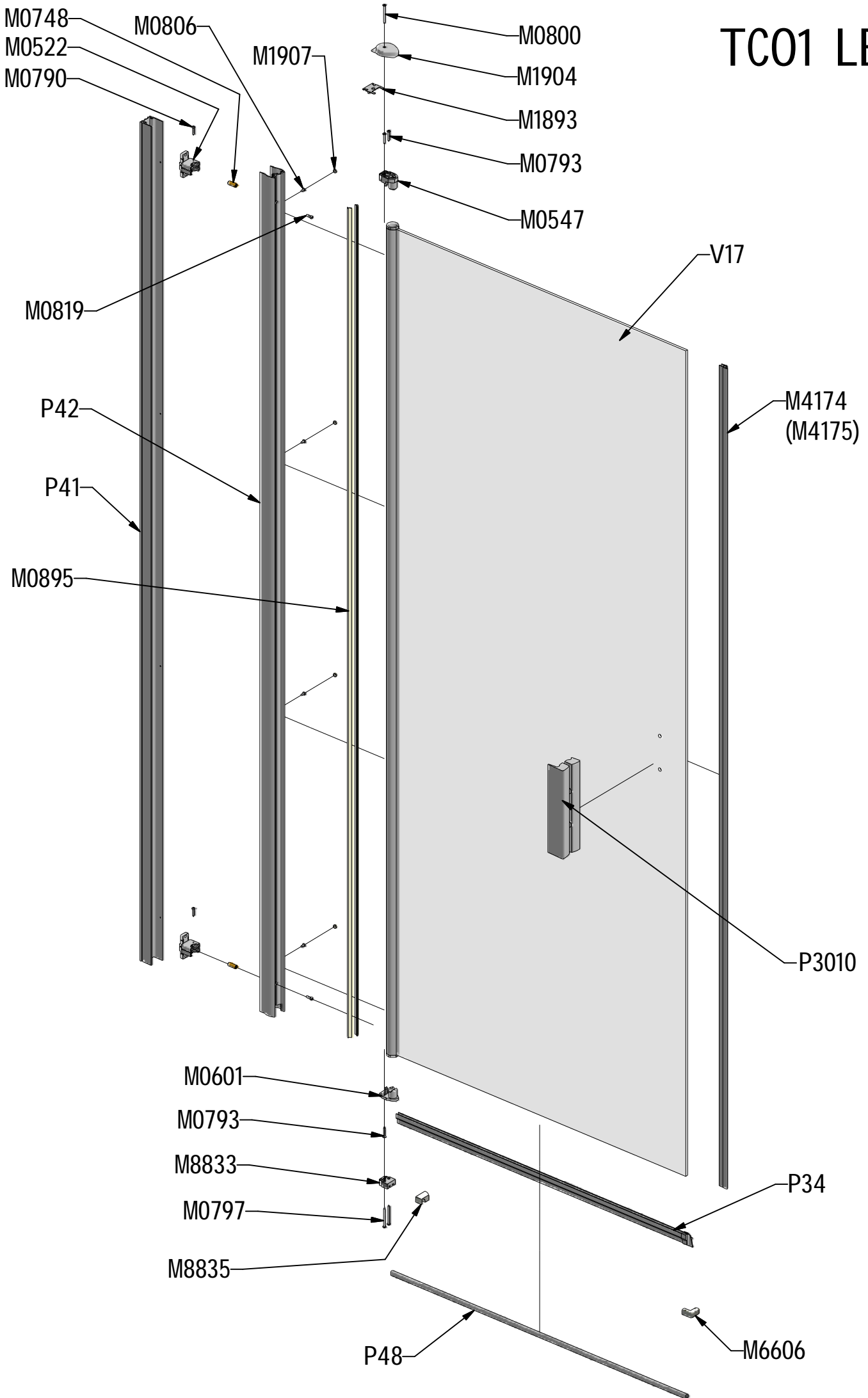




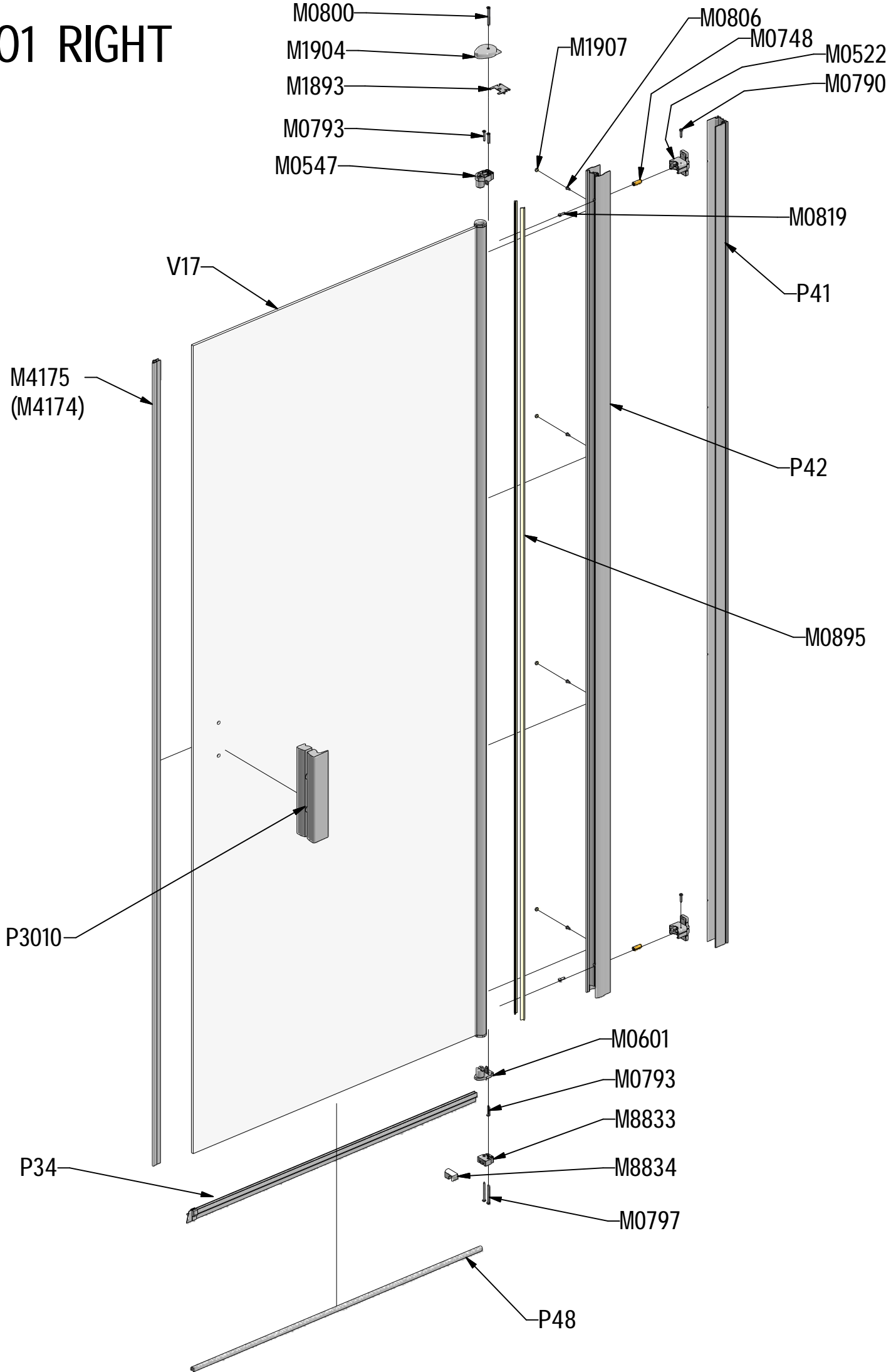




TC01 LEFT



TC01 RIGHT



P34				ND01-2420
P41		brillant		P1957
		elox		P1956
P42		brillant		P1963
		elox		P1962
P48	800			ND01-2236-8
	900			ND01-2236-9
	1000			ND01-2236-1

V17	800	brillant+clear glass	brillant+čiré sklo	ND02-0511-00-02
		brillant+intima glass	brillant+intima	ND02-0511-00-20
		elox+clear glass	elox+čiré sklo	ND02-0511-01-02
		elox+intima glass	elox+intima	ND02-0511-01-20
	900	brillant+clear glass	brillant+čiré sklo	ND02-0512-00-02
		brillant+intima glass	brillant+intima	ND02-0512-00-20
		elox+clear glass	elox+čiré sklo	ND02-0512-01-02
		elox+intima glass	elox+intima	ND02-0512-01-20
	1000	brillant+clear glass	brillant+čiré sklo	ND02-0513-00-02
		brillant+intima glass	brillant+intima	ND02-0513-00-20
		elox+clear glass	elox+čiré sklo	ND02-0513-01-02
		elox+intima glass	elox+intima	ND02-0513-01-20



**ROLTECHNIK a.s. / Třeboňov 160 / 569 33,
CZECH REPUBLIC**

10

EN 14428:2008+A1