

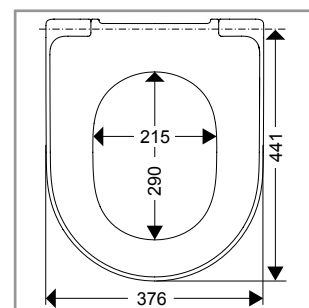
Toilet seat Architectura

Model — 98M961 Architectura toilet seat incl. 9223 65 61 hinge

Product Description

Architectura toilet seat in Wrap Over design made of colour ingrained duroplast

- incl. hinge in stainless steel and nylon
- centre distance: 155 mm
- load of ring seat: 240 kg
- 10 years guarantee



Colour Programme

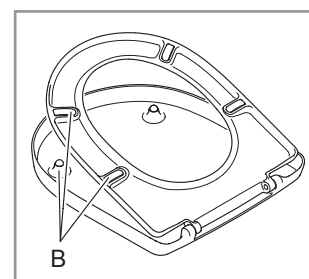
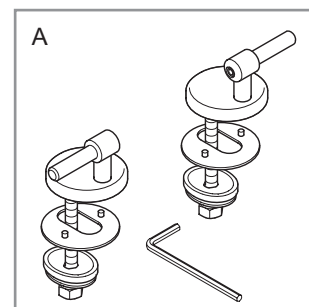
- 01 White
- 09 Pergamon

Hinge Finish

- 61 Stainless steel

Spare Parts

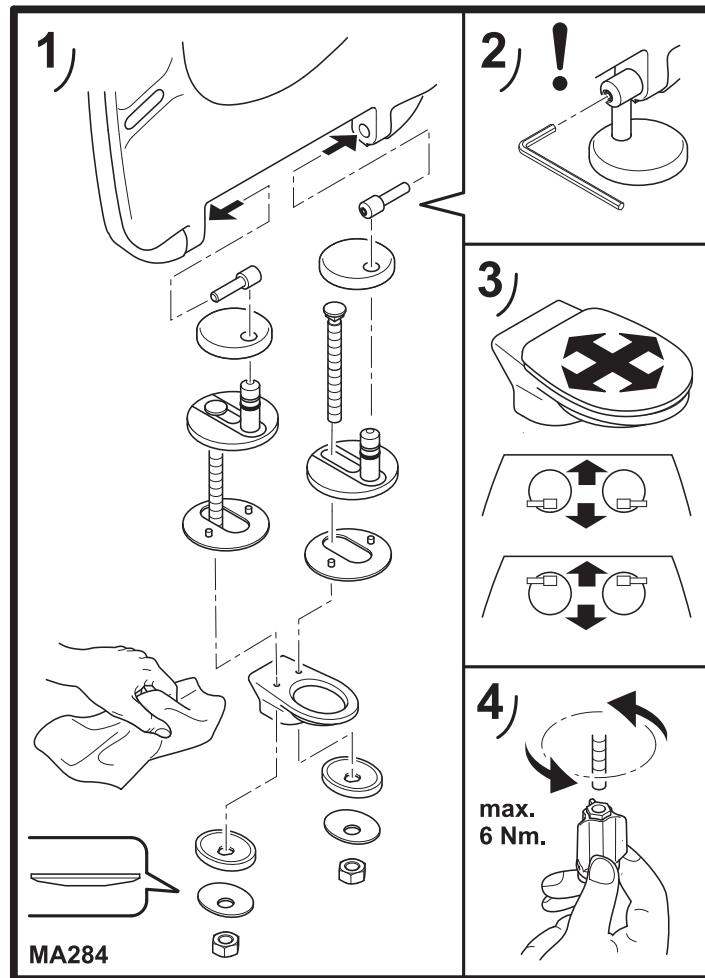
- A) 9223 65 61 Hinge in stainless steel and nylon
- B) 9223 68 00 Buffer for seat and cover



Cleaning Instructions

Use a mild soap solution. Seat and hinges should not be left damp, but be dried with a soft cloth. When using abrasive, corrosive or chlorine based cleaners for the bowl, avoid contact with seat and hinges as it may lead to damages or flash rust. Therefore, when cleaning the bowl, make sure that seat and cover are in an upright position until all the cleaner has been flushed away.

Installation Instructions



Material Description

TOILET SEAT: The material is colour ingrained duroplast (UF A 10 = urea formaldehyde) that contains no environmentally hazardous substances. UF plastic comprises 67% urea formaldehyde resin, 28% cellulose, as well as 5% minerals, pigments, lubricants and moisture content. The raw material from the supplier contains < 0.03% free formaldehyde and even less following curing.

BUFFERS: PE (Polyethylene)

HINGES: Stainless steel and nylon

Guarantee

The guarantee includes faults or defects in the material of our products within a period of 10 years. Products subject to minor technical modifications and design deviations E. & O.E.