

Toilet seat Aveo New Generation SC/QR

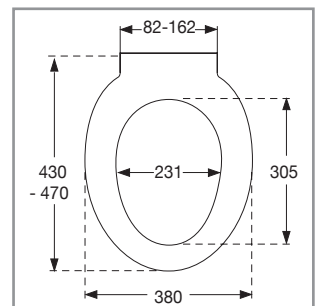
Model

9M57 S1 Aveo New Generation toilet seat with Soft Closing and Quick Release, incl. 9224 51 61 universal toggle hinge with Quick Release

Product Description

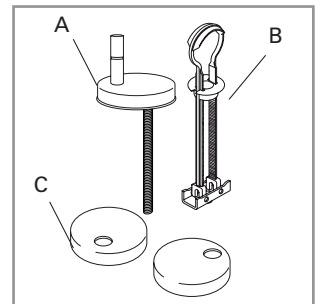
Aveo New Generation toilet seat in Wrap Over design made of colour ingrained duroplast with hinge in stainless steel

- incl. universal toggle hinge with Quick Release in stainless steel
- centre distance: 82-162 mm
- load of ring seat: 240 kg
- 10 year guarantee



Colour Programme

R1 White (Alpin)
R2 StarWhite

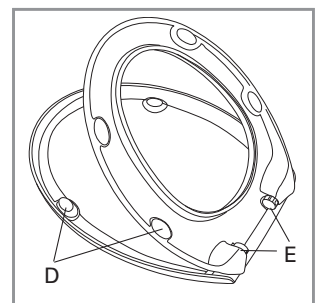


Hinge Finish

61 Stainless steel

Spare Parts

A) 9224 51 61 Universal toggle hinge with Quick Release
B) 9218 96 00 Spare part for universal toggle hinge
C) 9222 05 00 Spare part cover caps
D) 9220 90 00 Buffers for seat and cover
E) 9224 18 00 Soft Closing packet



Cleaning Instructions

Use a mild soap solution. Seat and hinge should not be left damp, but be dried with a soft cloth. When using abrasive, corrosive or chlorine based cleaners for the bowl, avoid contact with seat and hinge as it may lead to damages or flash rust. Therefore, when cleaning the bowl, make sure that seat and cover are in an upright position until all the cleaner has been flushed away

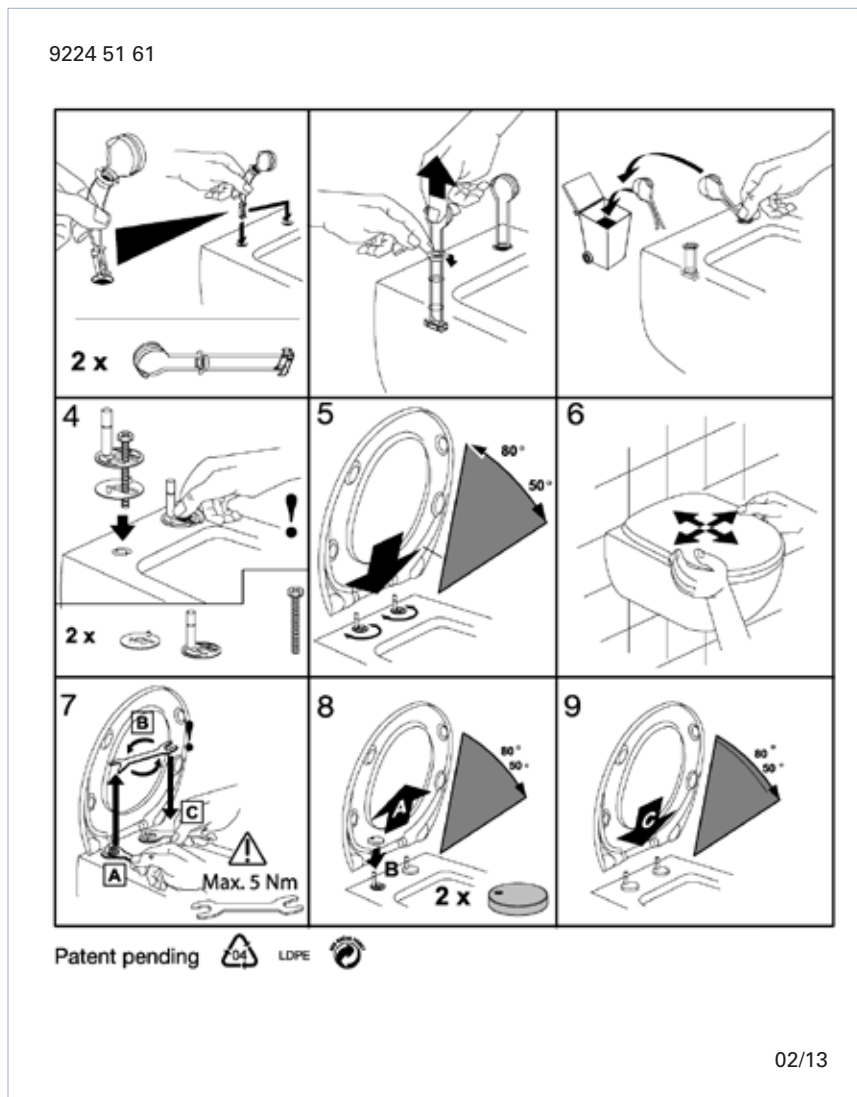


Villeroy & Boch

1748

Toilet seat Aveo New Generation SC/QR

Instruction manual



[Click here for video](#)

Material Description

TOILET SEAT: The material is colour ingrained duroplast (UF A 10 = urea formaldehyde) that contains no environmentally hazardous substances. UF plastic comprises 67% urea formaldehyde resin, 28% cellulose, as well as 5% minerals, pigments, lubricants and moisture content. The raw material from the supplier contains less than 0,03% formaldehyde after a special curing process.

BUFFERS: EVA (copolymer made of ethylene and vinyl acetate)

DAMPER KIT: Hydraulic damper with stainless steel damper casing and plastic parts
Damper liquid: Anti-friction liquid

MOUNT/HINGE: Stainless steel

Guarantee

The guarantee includes faults or defects in the material of our products within a periode of 10 years. Products subject to minor technical modifications and design deviations E. & O.E.