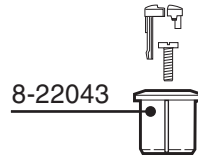


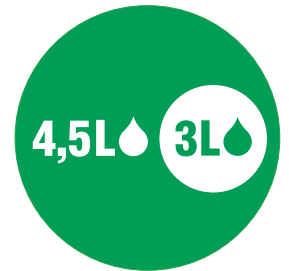
Roca

MERIDIAN



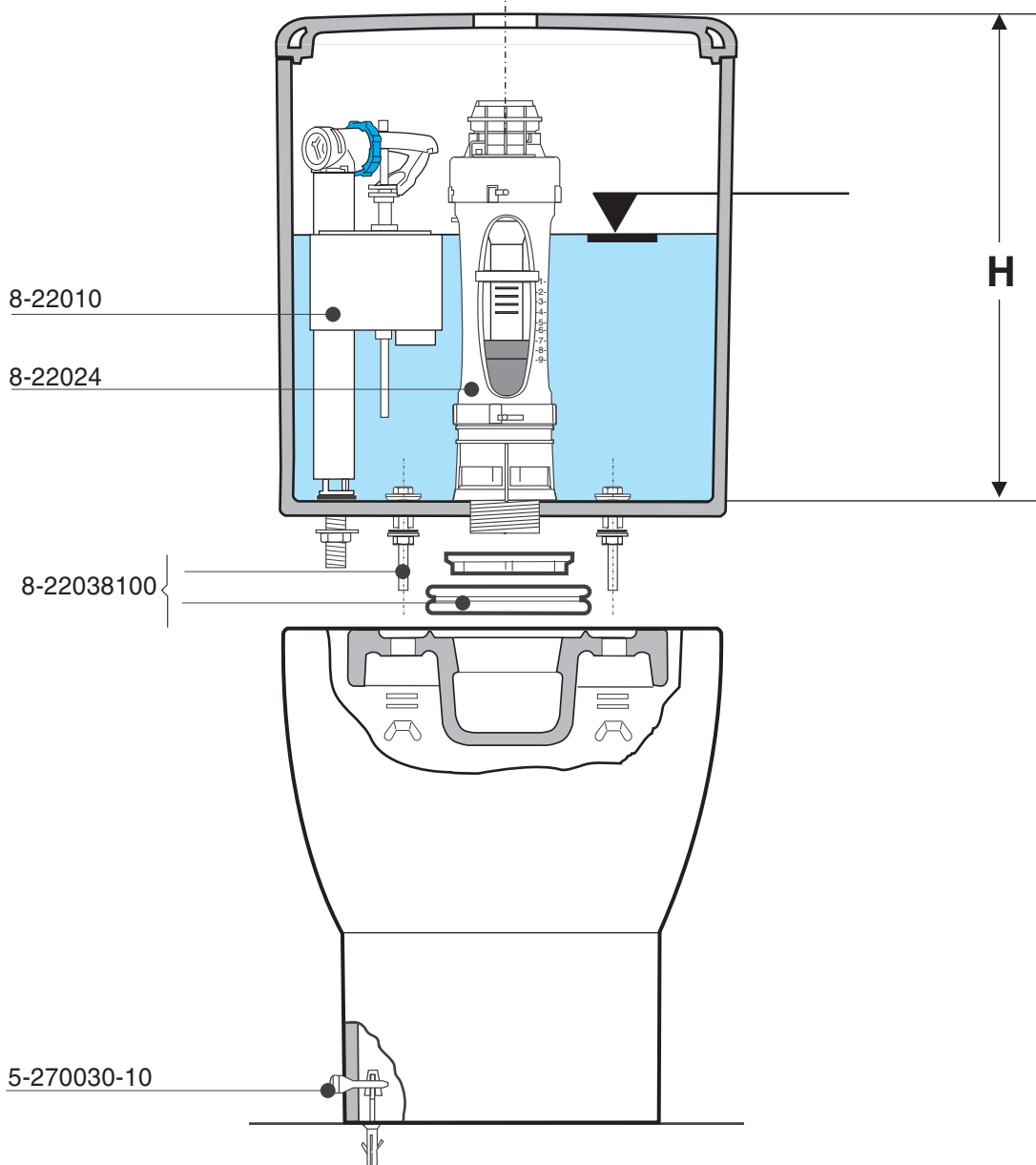
8-22043

H 348 max
340 min



4,5L

3L

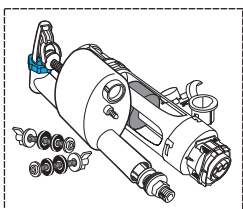


8-22010

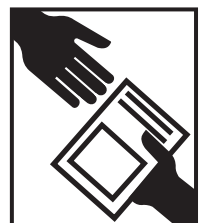
8-22024

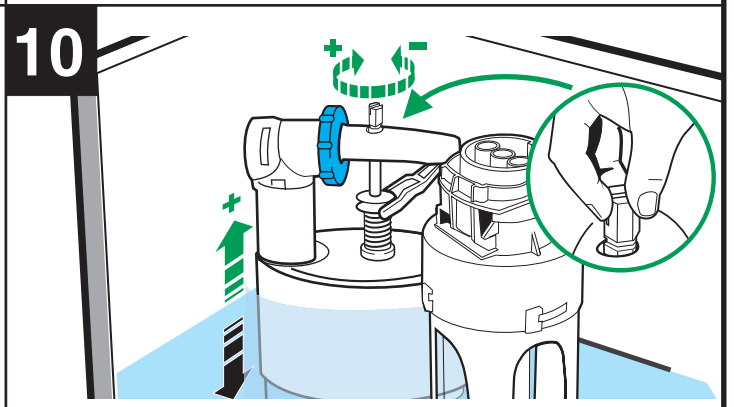
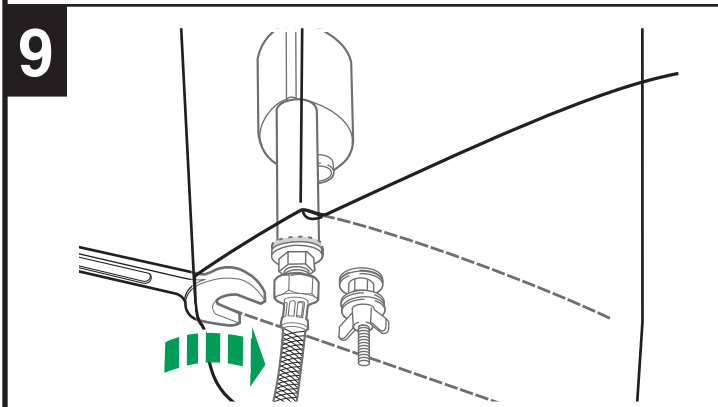
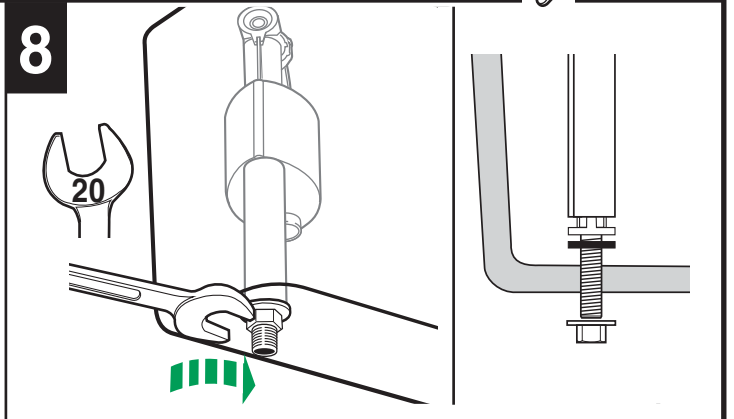
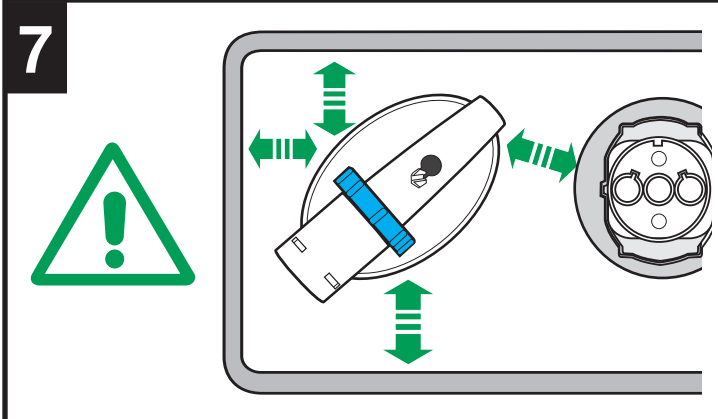
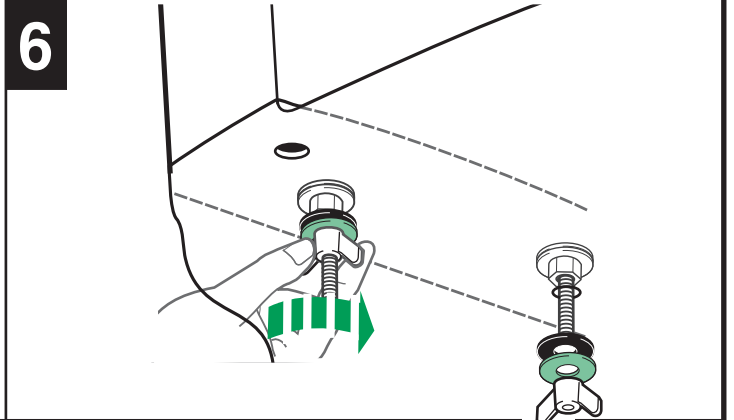
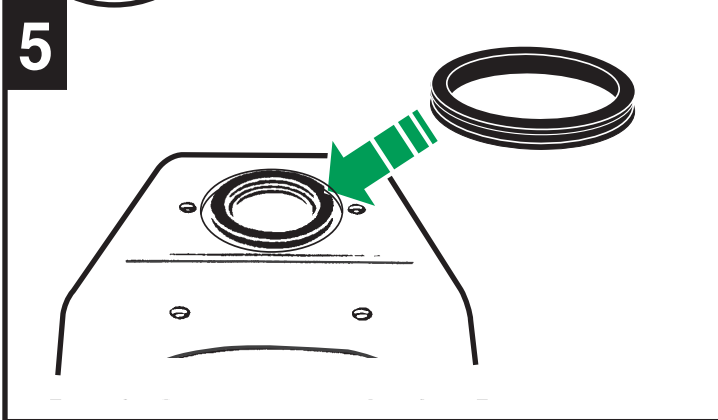
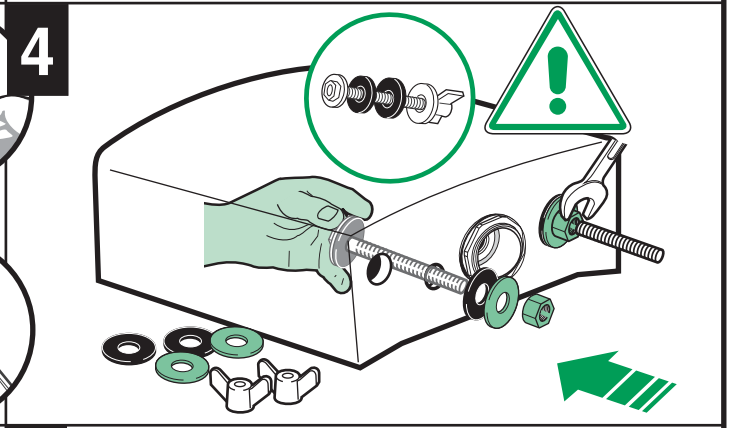
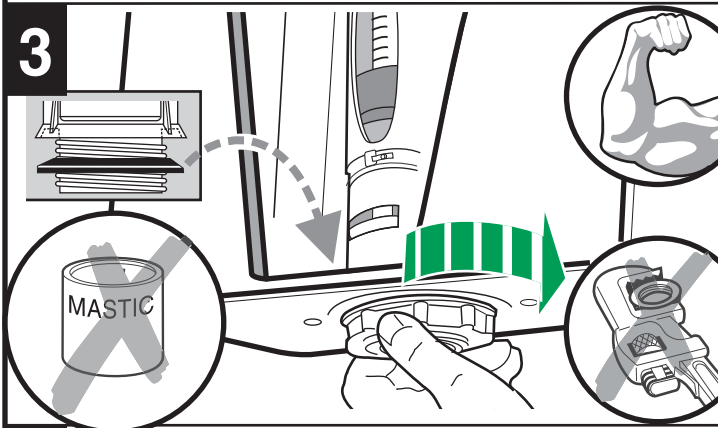
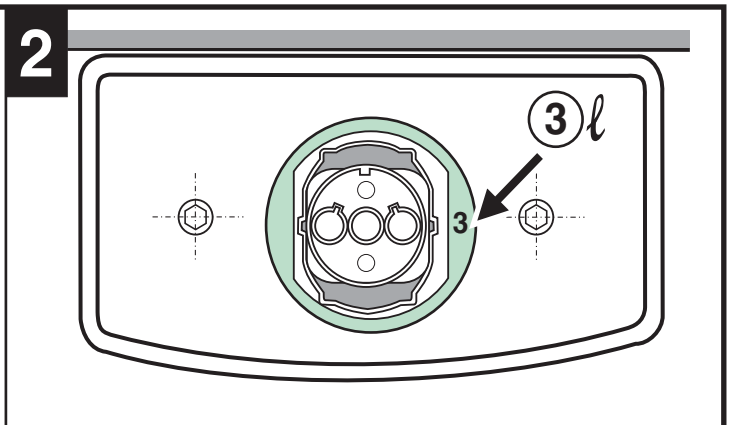
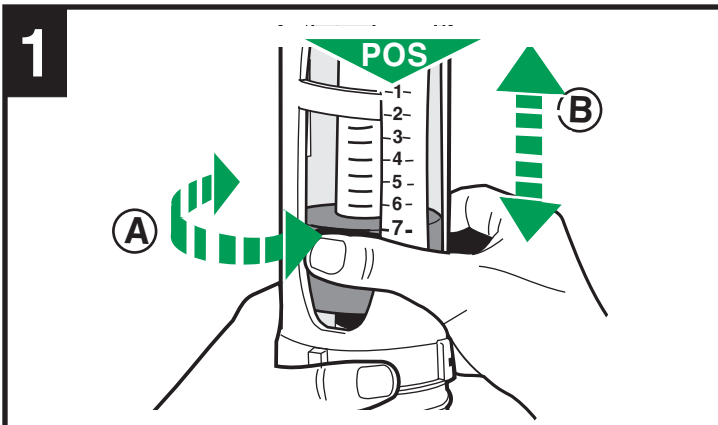
8-22038100

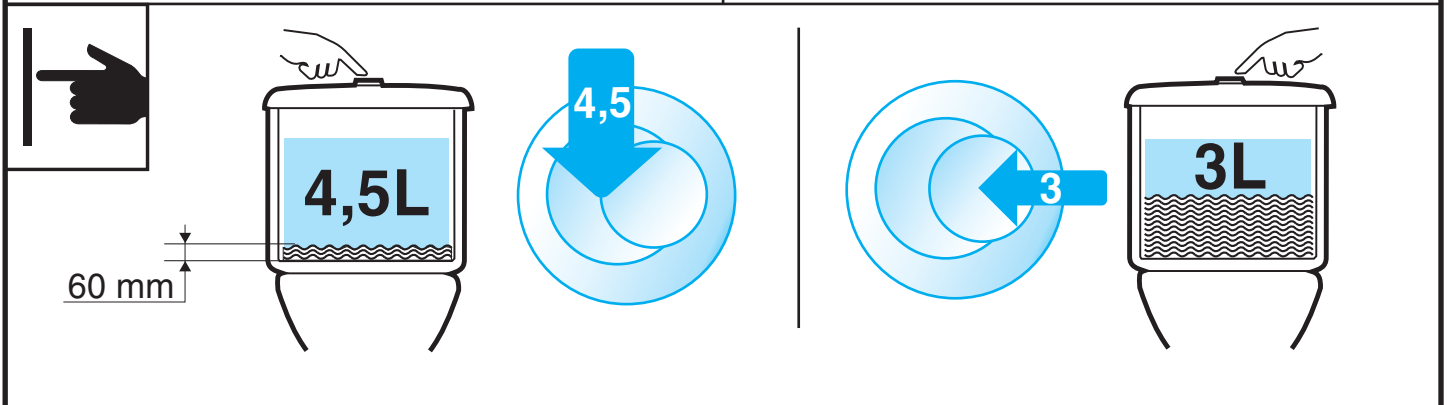
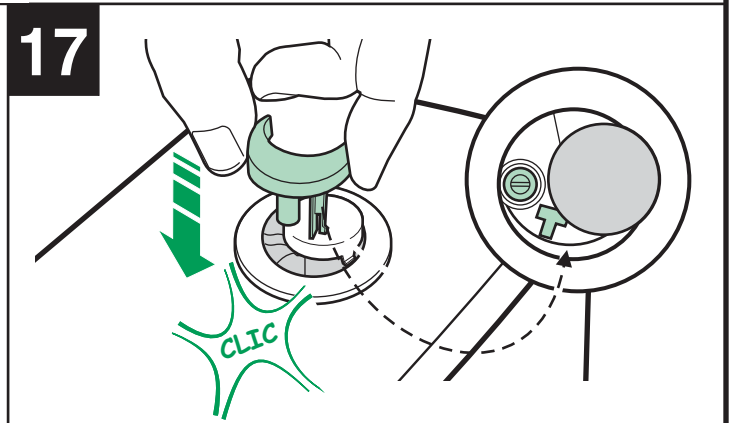
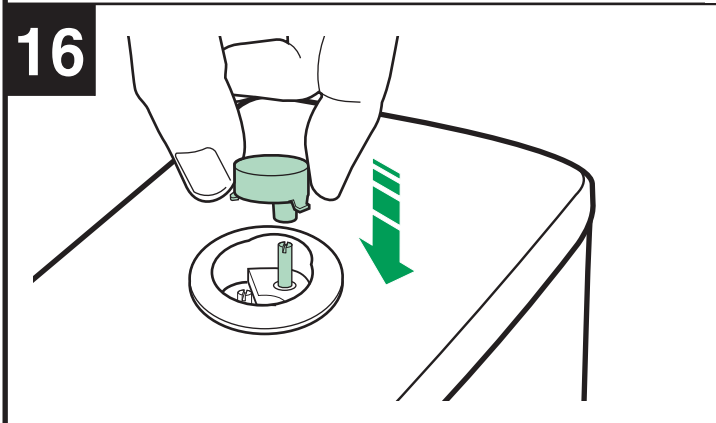
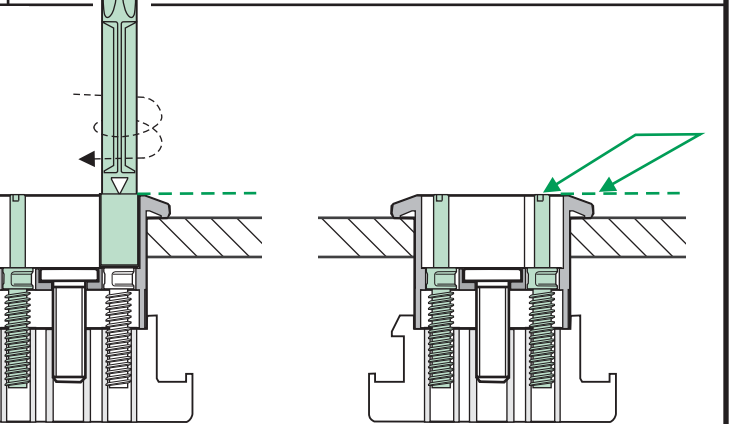
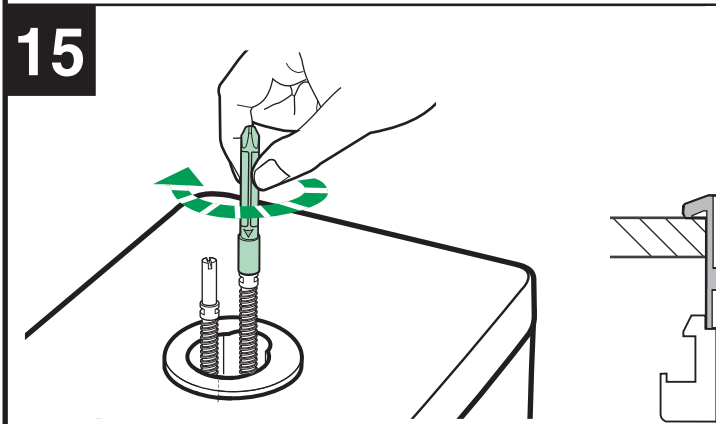
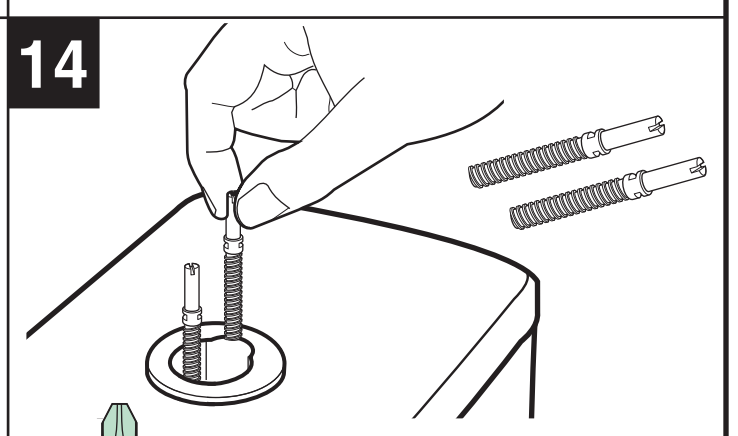
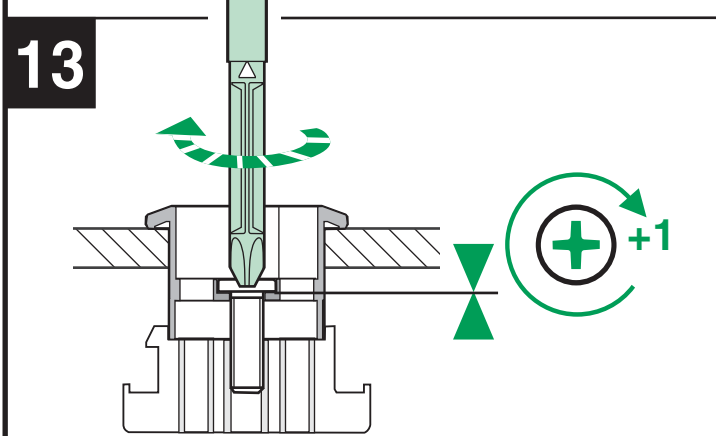
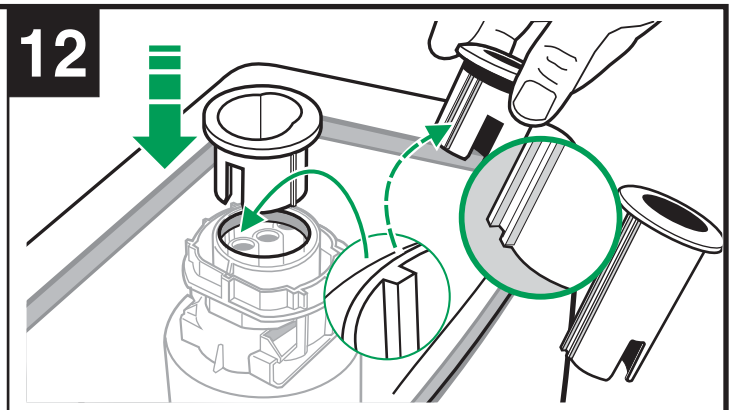
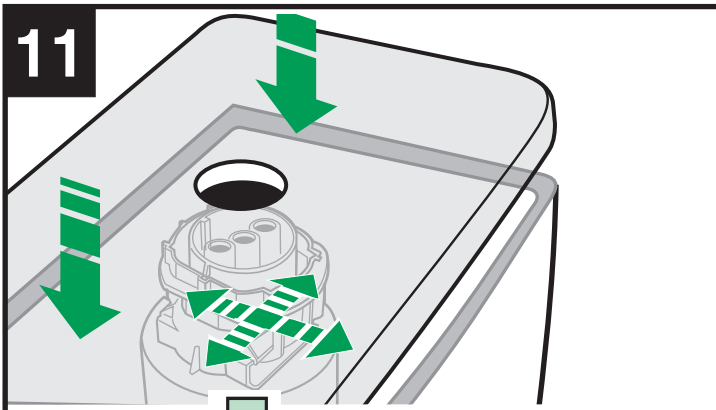
5-270030-10

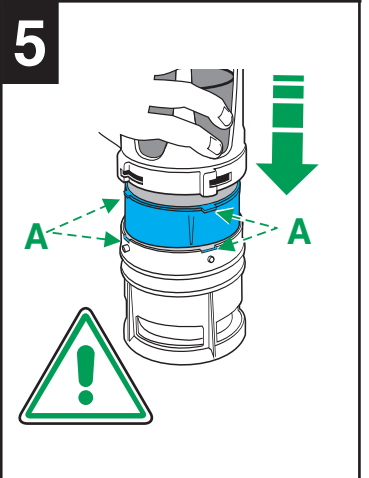
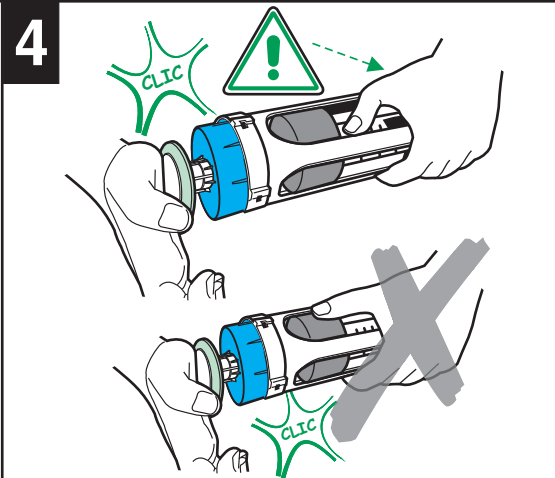
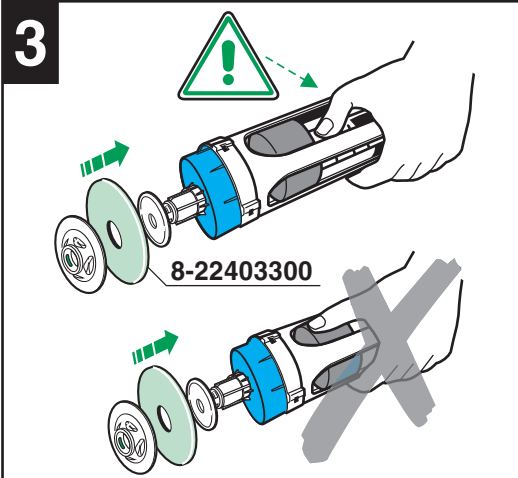
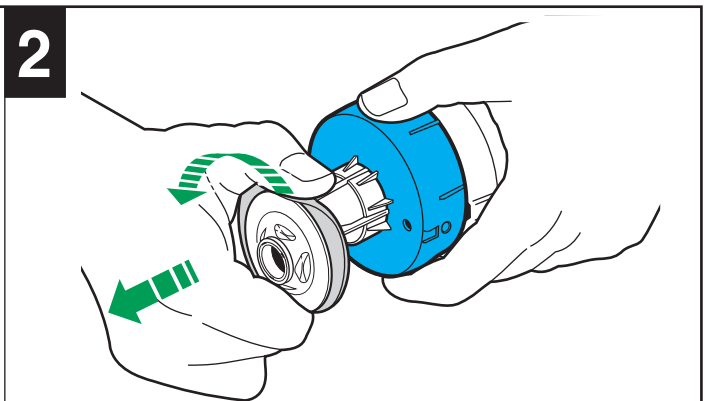
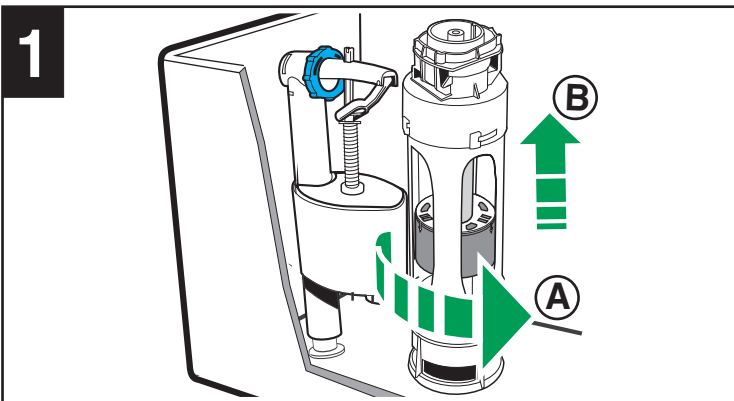
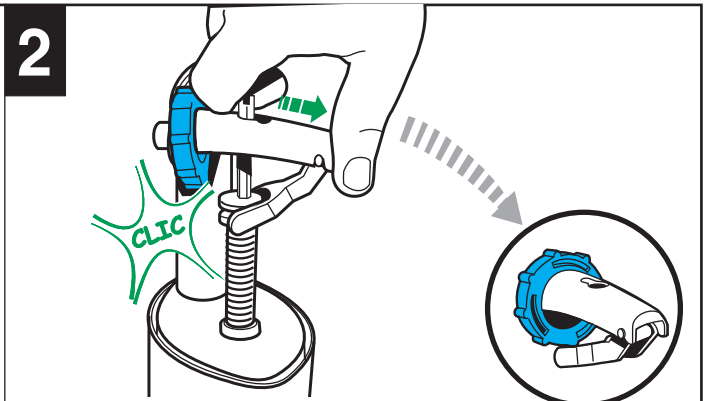
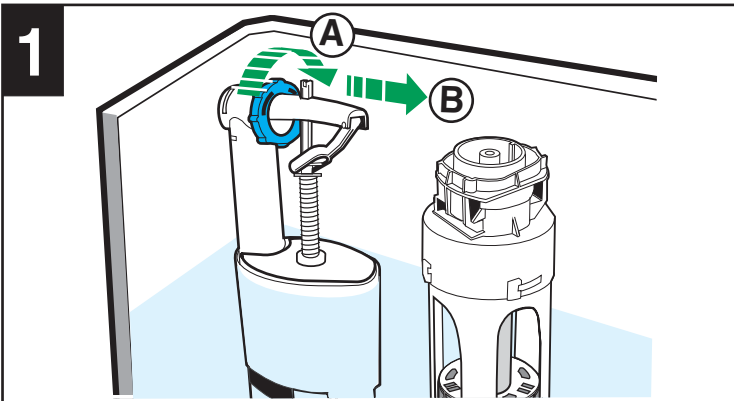
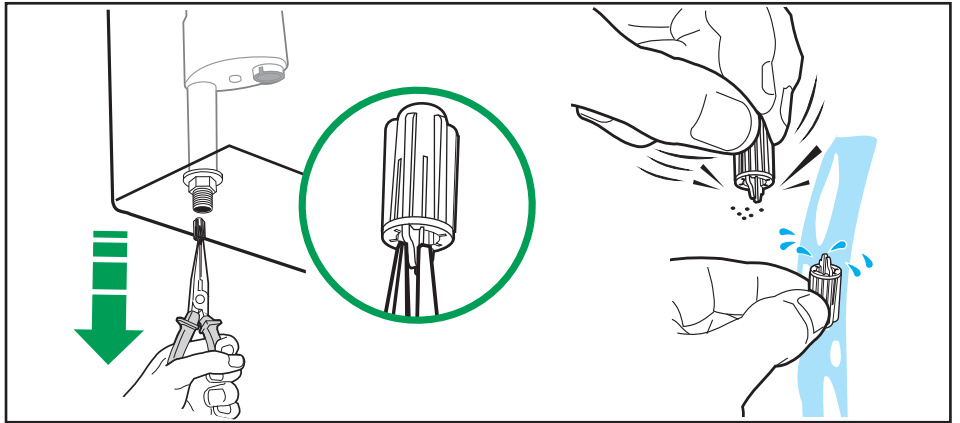
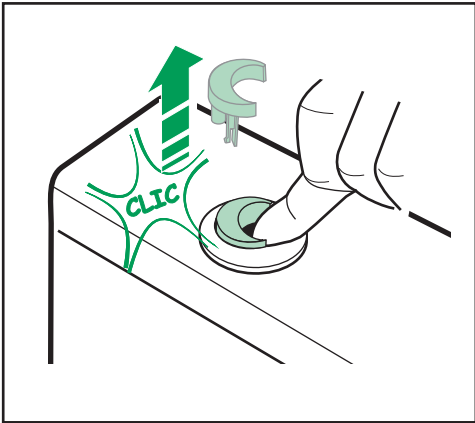


8-22868001 /101/301









Roca Sanitario, S.A.

Avda. Diagonal, 513
08029 Barcelona - SPAIN
Teléfono 93 366 1200
Fax 93 419 4501
www.roca.es

Roca