



**The Clear Choice**  
Water Filtration Systems

[www.aquafilter.com](http://www.aquafilter.com)

# FP3-2

## 3 Stage Basic Water Filtration System



Made in EU



### General Description:

**AQUAFILTER FP3-2** - tri-stage under-counter water filtration system is made of the following filter cartridges:

**FCPS5** and **FCPS20**, which remove sediment impurities such as sand, rust, and suspensions of not less than 5  $\mu\text{m}$ , and carbon based **FCCBL** filter cartridge, which removes chlorine, some pesticides and organic substances.

The system is sold with a standard set of cartridges, connection adapters, filter faucet and housing wrench.

Depending on the quality of the water, system can be freely configured with the use of sediment, specialty and carbon filter cartridges.

### Features:

- High quality
- Competitive pricing
- Fast product delivery
- A wide range of interchangeable water filter cartridge types
- Made in EU
- Compact, undercounter, and apartment size
- Manufactured from FDA CFR-21 compliant materials
- Three Stages of Filtration
- Easy to install with System Specifications
- Systems equip with modern faucet and all installation accessories

### Recomendations for Use:

- Point-of-Use (POU) systems can filter out bad tastes, colors or odors, which pose no health risk but still affect the water quality
- This system will improve the flavor of water used for drinking and cooking
- Perfect for almost any household and will easily fit into any space
- Kitchen compact, undercounter, home and apartment
- Recommended for Families





**The Clear Choice**  
Water Filtration Systems

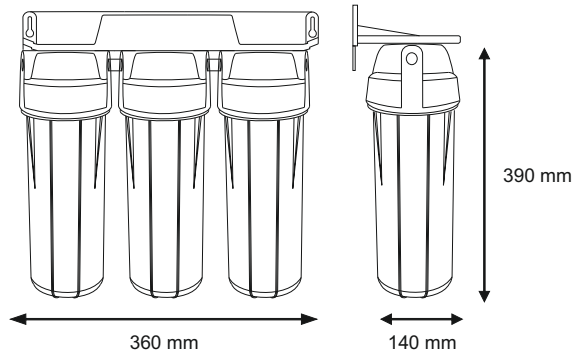
# FP3-2

## 3 Stage Basic Water Filtration System



**The package contains:**

- Melt-blown polypropylene cartridge with NSF certificate - 5 µm (FCPS5) and 20 µm (FCPS20)
- Carbon block (FCCBL)
- NSF certified, Filter Housing (double o'ring) with filter housing wrench
- Long Reach Chrome Faucet
- Feed water connector 1/2"
- Four Color Coded 1/4 inch Tubing for System Connection (FDA-approval)
- Completely Assembled, Manual instructions
- 100% Factory Tested and Sterilized Ready for Installation

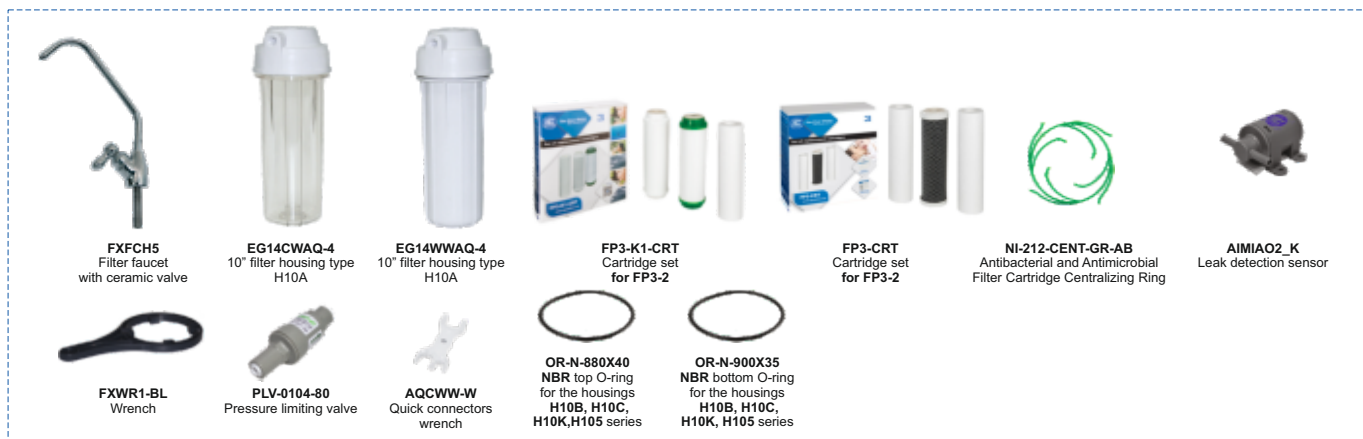


**Specifications:**

**Dimensions (H x W x L):** 390 x 140 x 360 (mm)  
**Connection adapter:** 1/2"  
**Working Temp.:** 2°C - 45°C (35°F - 113°F)  
**Working Pressure:** 6 bar (90 PSI)

CATALOG#	STAGE	COMPONENT	FUNCTION
FCPS20	1	<b>Sediment Pre-Filter</b> Spun-bounded polypropylene	20 micron sediment filter traps dirt, sediment, rust and other particulate matter.
FCCBL	2	<b>Carbon Cartridge Pre-Filter</b> Extruded activated carbon	Carbon block filter is used to reduce chlorine, color, odor and other organic impurities
FCPS5	3	<b>Sediment Pre-Filter</b> Spun-bounded polypropylene	5 micron sediment filter traps dirt, sediment, rust and other particulate matter.

**Additional accessories**



**NOTE**

- Do not use with water that is microbiologically unsafe or of unknown quality without adequate disinfection before or after the system.  
 - Water filtration systems can help reduce the presence of contaminants. In addition, some water filtration systems can help reduce the presence of microorganisms or other contaminants with potential health effects.  
 - We strongly recommend regularly scheduled maintenance and replacement of the filter cartridge in order for the product to perform properly.  
 - Replace the filter cartridge at least every 3 or 6 months (depending on water quality).  
**LIMITED WARRANTY:** Manufacturer warrants that this product is free from defects in materials and workmanship. This warranty, together with any and all warranties implied by law, shall be limited to a period of two (2) years from the date of original purchase. This limited warranty does not apply to failures that result from abuse, misuse, alteration or failure to properly comply with installation, or cartridge change instructions.  
 We strongly recommend adding to all point of use filtration systems a Pressure Limiting Valve (PLV-0104 series) to guard against unwanted extreme water pressure events pressure increases, surges, and water hammer which could occur in the water pipes. Not having one installed could mean that if you ever did have to claim damage caused by a burst water filter system, the claim will be denied.

All Aquafilter images, trademarks, logos, and other intellectual property are the sole and exclusive property of Aquafilter, Inc. and may not be used without our express written permission.

**Aquafilter Manufacturing Facility**

**Aquafilter Inc.**  
 Hunt Valley 21030, USA  
 us@aquafilter.com

**Aquafilter Germany**  
 15234 Frankfurt, Germany  
 de@aquafilter.com

**Aquafilter Europe**  
 91-222 Lodz, Poland  
 pl@aquafilter.com

