



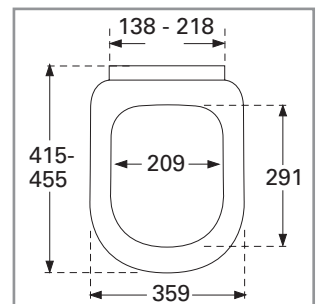
Toilet seat Subway

Model

9M55S1 Subway toilet seat with Soft Closing and Quick Release, incl. 92205561 universal toggle hinge
9M55Q1 Subway toilet seat with Quick Release, incl. 92205561 universal toggle hinge

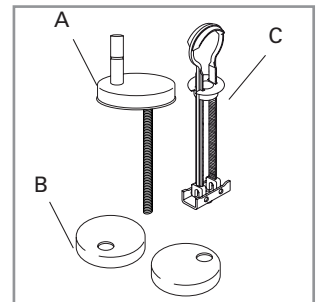
Product Description

Subway toilet seat in Wrap Over design made of colour ingrained duroplast:
 – incl. universal toggle hinge in stainless steel
 – centre distance: 138-218 mm
 – load of ring seat: 240 kg
 – 10 year guarantee



Colour Programme

01 White (Alpin)
 R2 Star White
 R3 Pergamon

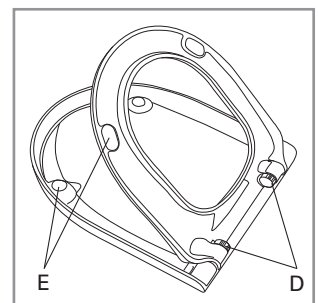


Hinge Finish

61 Stainless steel

Spare Parts

A) 9220 55 61 Universal toggle hinge
 B) 9222 05 00 Spare parts cover caps for universal toggle hinge
 C) 9218 96 00 Spare parts for toggle hinge
 D) 9222 91 00 Soft Closing packet/ 9220 24 00 Quick Release packet
 E) 9220 81 00 Buffers for seat and cover



Cleaning Instructions

Use a mild soap solution. Seat and hinge should not be left damp, but be dried with a soft cloth. When using abrasive, corrosive or chlorine based cleaners for the bowl, avoid contact with seat and hinge as it may lead to damages or flash rust. Therefore, when cleaning the bowl, make sure that seat and cover are in an upright position until all the cleaner has been flushed away



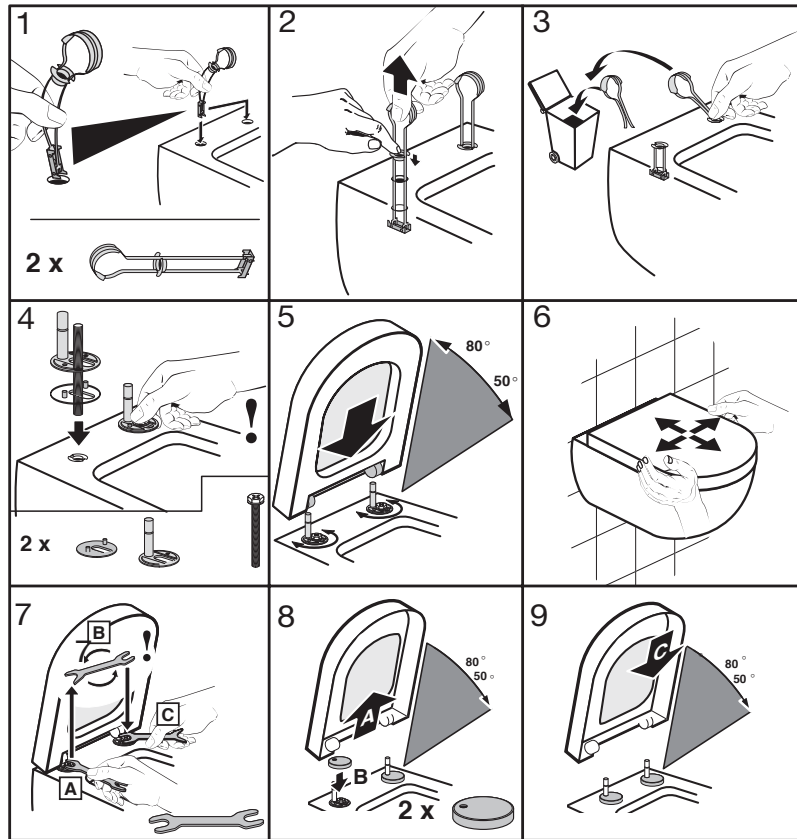
Villeroy & Boch

1748

Toilet seat Subway

Instruction manual

9220 55 61



Patent pending LDPE

06/11

Material Description

TOILET SEAT: The material is colour ingrained duroplast (UF A 10 = urea formaldehyde) that contains no environmentally hazardous substances. The body consists of approx. 50% urea (NH_2CONH_2), approx. 25% cellulose and approx. 25% formaldehyde (HCHO), as well as small amounts of various fillers and additives.

BUFFERS: EVA (copolymer made of ethylene and vinyl acetate).

MOUNT/HINGE: Stainless steel.

Guarantee

The guarantee includes faults or defects in the material of our products within a periode of 10 years. Products subject to minor technical modifications and design deviations E. & O.E.